

**SUPPLEMENTAL INSTRUCTIONS FOR USE**  
**Series 4120XXX Enviro-Shield™**  
**Self Retracting Lifeline with Rescue**

Complies with the current ANSI Z359.14-2021 **OR** applicable OSHA regulations and requirements.

Reliance Industries P.O. Box 2046 Deer Park, TX 77536

Phone: 281-930-8000 Toll Free: 888-362-2826 Fax: 281-930-8666

**Supplemental User Instruction Manual - Self Retracting Lifeline with Rescue**

*This manual is intended to meet the Manufacturer's Instructions as required by the current ANSI Z359.14, and should be used as part of an employee training program as required by OSHA. **This supplemental instruction is to be used in conjunction with SRL user instruction 4100000-100, if not included with this supplement, contact Reliance Industries for a copy.***

**WARNING:** *This product is one part of a personal fall arrest, restraint, work positioning, personnel riding, climbing, or rescue system. Without the other necessary components in such sub-systems the self retracting lifeline itself serves no useful purpose. The user must follow the manufacturer's instructions for each component of the system. These instructions must be provided to the user before using this product and retained for ready reference by the user. The user must read, understand (or have explained), and heed all instructions, labels, markings and warnings supplied with this product and with those products intended for use in association with it before using this equipment. Manufacturer's instructions must be followed for proper use and maintenance of this equipment. National standards and state, provincial and federal laws require the user to be trained before using this product. This manual can be used as part of such a user safety-training program that is appropriate for the user's occupation.*

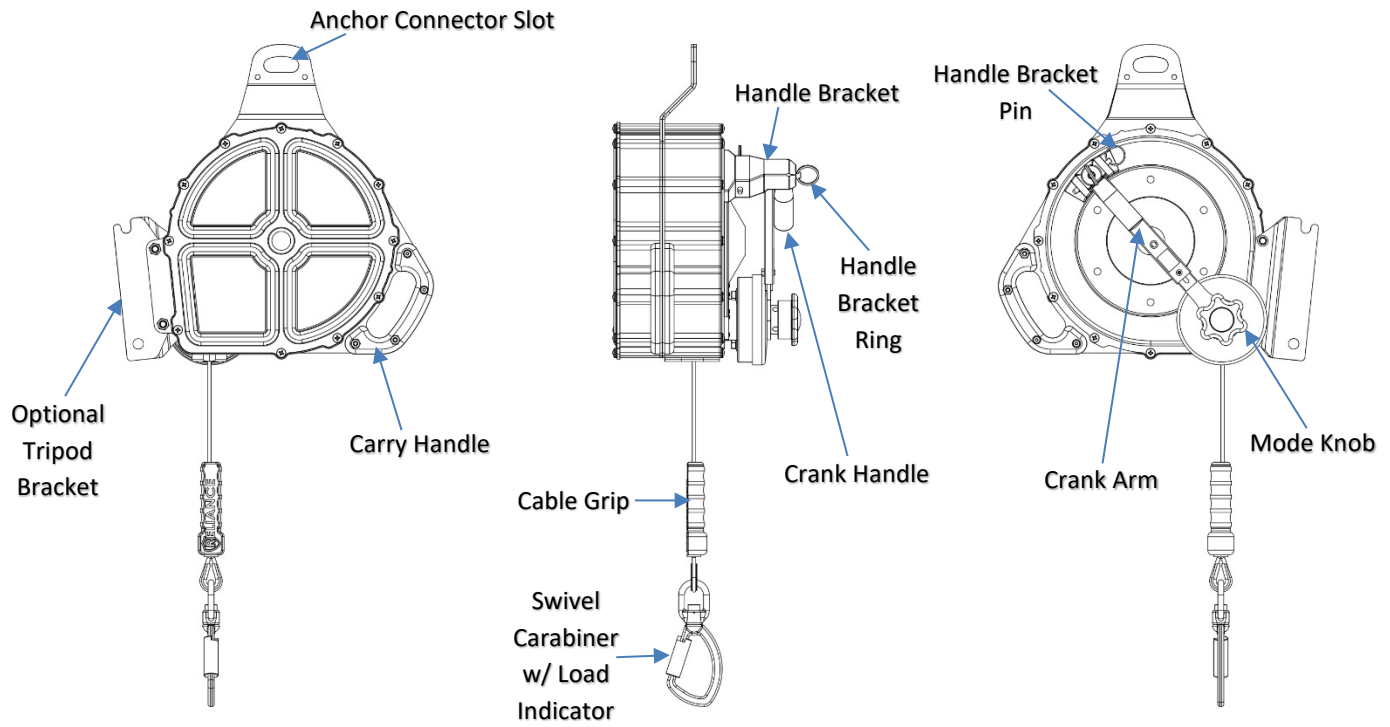
**IMPORTANT:** *Alterations or misuse of this product or failure to follow instructions may result in serious injury or death. If you have questions on the use, care, or suitability of this equipment for your application, contact RELIANCE Fall Protection for information.*

## **PRODUCT DESCRIPTION**

The Enviro-Shield™ Self Retracting Lifeline with Rescue (SRL-R) is designed to be a component in a personal fall arrest systems (PFAS). It may be used in most situations where a combination of worker mobility and fall protection is required (i.e. inspection work, general construction, maintenance work, oil production, confined space work, etc.). The Enviro-Shield™ SRL-R is designed for use by a single person weighing from 75-310 lbs [34-181kg] (body weight plus tools) Enviro-Shield™ Self Retracting Lifeline with Rescue features a cam-action pawl system ensuring positive lock-up even in the most demanding environments. Available standard cable lengths allow the Enviro-Shield™ to be mounted overhead in areas where there are no other convenient anchor points for personal fall arrest means, or on the Reliance Tripod as part of a confined space access system. The Swivel Locking Carabiner permits connection to the harness dorsal D-ring, while the swivel provides an easy to see load indicator showing whether the Enviro-Shield™ has been exposed to a fall arrest load and needs to be serviced.

# Identifying Components of Enviro-Shield™ Self Retracting Lifeline with Rescue

Figure 1



**4120050-x, 4120085-x**

## PRODUCT SPECIFICATIONS

Part Number	Working Length	Meets	Confined Space Bracket	Line Type	Weight	Capacity	Hook Type	Housing Type	Housing Dimensions
4120050-1	50' (15.2m)	ANSI Z359.14-2021 Class 1	No	7/32" (5.5mm) Stainless	46.5 lbs (21.1kg)	310 lbs (140kg)	Swivel Carabiner Stainless Steel	Stainless, Anodized Aluminum	12.5" L X 12.5" W X 10" H (32cm X 32cm X 25cm)
4120050-2	50' (15.2m)	OSHA	Yes	3/16" (4.5mm) Stainless	45.2 lbs (20.5kg)	310 lbs (140kg)	Swivel Carabiner Stainless Steel	Stainless, Anodized Aluminum	12.5" L X 12.5" W X 10" H (32cm X 32cm X 25cm)
4120050-4	50' (15.2m)	ANSI Z359.14-2021 Class 1	Yes	7/32" (5.5mm) Stainless	46.5 lbs (21.1kg)	310 lbs (140kg)	Swivel Carabiner Stainless Steel	Stainless, Anodized Aluminum	12.5" L X 12.5" W X 10" H (32cm X 32cm X 25cm)
4120085-1	85' (21.6m)	OSHA	No	3/16" (4.5mm) Stainless	47.4 lbs (21.5kg)	310 lbs (140kg)	Swivel Carabiner Stainless Steel	Stainless, Anodized Aluminum	12.5" L X 12.5" W X 10" H (32cm X 32cm X 25cm)
4120085-2	85' (21.6m)	OSHA	Yes	3/16" (4.5mm) Stainless	47.4 lbs (21.5kg)	310 lbs (140kg)	Swivel Carabiner Stainless Steel	Stainless, Anodized Aluminum	12.5" L X 12.5" W X 10" H (32cm X 32cm X 25cm)
4120085-4	85' (21.6m)	ANSI Z359.14-2021 Class 1	Yes	7/32" (5.5mm) Stainless	69 lbs (31.3kg)	310 lbs (140kg)	Swivel Carabiner Stainless Steel	Stainless, Anodized Aluminum	14.5" L X 14" W X 10.5" H (37cm X 36cm X 27cm)
4120085-5	85' (21.6m)	ANSI Z359.14-2021 Class 1	No	7/32" (5.5mm) Stainless	69 lbs (31.3kg)	310 lbs (140kg)	Swivel Carabiner Stainless Steel	Stainless, Anodized Aluminum	14.5" L X 14" W X 10.5" H (37cm X 36cm X 27cm)

The following specifications apply to all Enviro-Shield™ Self Retracting Lifelines with Rescue:

**Maximum Arrest Force (MAF):** ≤ 1,800 lbs (8kN) • **Average Arrest Force (AAF):** ≤ 900 lbs (4kN)

**Arrest Distance (AD):** ≤ 42" (1.07m)

**310 lbs Max. Capacity:** 1 worker, maximum combined tool & body weight ≤ 310 lbs (140.6kg).

# USAGE

## USING THE SRL-R FOR FALL PROTECTION

Verify that the SRL-R is set to the SRL mode as indicated on the actuation knob label. Connect the SRL-R to either a suitable overhead anchorage, or the Reliance Tripod mounting bracket in accordance to the SRL and Tripod manuals. Perform per-use checks and inspections in accordance to the SRL manual. Attach to the users full body harness back D-ring and use the SRL-R in accordance to the SRL manual.

## USING THE SRL-R FOR RESCUE

The SRL-R may be used as a rescue device for a user that has experienced a fall. SRL-Rs are used like a standard SRL for fall protection until activated in rescue mode. The capacity of the SRL-R is one worker with maximum combined tool & body weight  $\leq 310$  lbs (140.6kg). The force to raise and lower the user is less than 30 pounds in either direction. This section of the instructions details the use of the SRL-R in rescue mode. An SRL-R in rescue mode cannot be used for fall protection.

### • SETTING THE SRL-R TO RESCUE MODE

The rescue personnel must be equipped with the proper fall protection when applicable. If the individual being rescued is not connected to the SRL-R, then pay out line while the SRL-R is in fall arrest mode and connect the snaphook to the back D-ring on the harness of the individual being rescued. Once the individual is connected to the SRL-R, then the SRL-R can be set to rescue mode. Carefully follow the instructions to set the SRL-R into rescue mode.

1. Remove side handle cap pin with label indicating "PULL THIS PIN FIRST". Remove handle cap with label indicating "PULL THIS PIN SECOND". See *figure 2*.
2. Lift and rotate activation knob 90 degrees until arrow points from "SRL" to "RESCUE" mode, the knob will drop in place. See *figure 3*.
3. Flip the crank grip up 90 degrees until it is locked in position, and extend the crank grip into either the first position for faster cranking, or the second position for heavier loads. See *figure 4*.
4. Slowly crank the handle in the raise direction until load is felt and activation knob shows no yellow label below it. Raise first at least 1/2 turn to release the SRL locking pawls before lowering. Release of the crank will brake and hold the load.

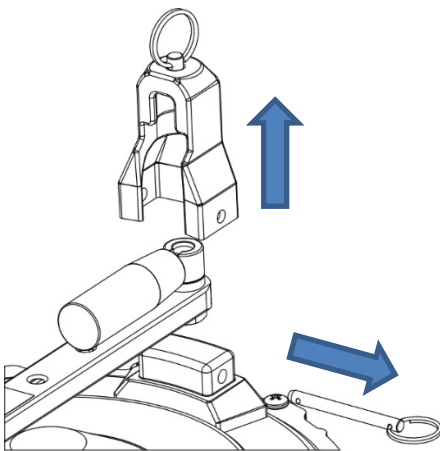


Figure 2

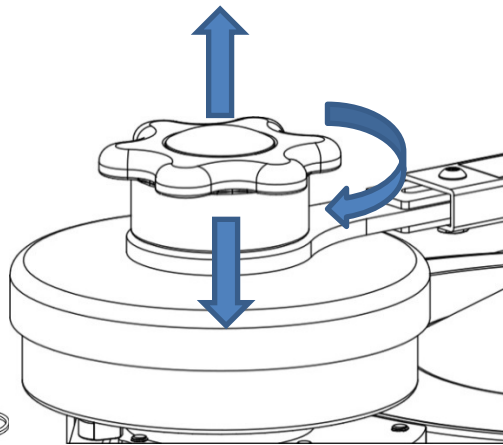


Figure 3

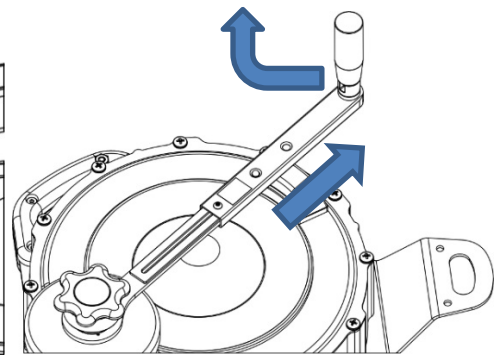


Figure 4

- **RAISING AND LOWERING IN RESCUE MODE**

In the event of a fall, lift first at least one half turn to unlock drum before attempting to lower. After raising to unlock the drum, then raise or lower the individual being rescued by turning the crank in the appropriate direction as indicated on the SRL-R. Do not allow slack in the line during rescue. If slack develops, then the individual being rescued could fall a second time. Auto braking will lock the unit when the handle is released. Use extreme care when the individual being rescued reaches a safe location and is being disconnected from the rescue system. With the individual being rescued at a safe level, the rescuer(s) must move the individual laterally, and then lower the individual onto to a safe and stable surface where medical assistance can be administered or the individual can be transported. Caution must be used during this move so that the rescuer(s) does not fall. If a portable anchorage is being used to support the SRL-R (e.g. a tripod), then use great care to avoid toppling the anchorage while moving the individual to the safety location.



**WARNING**



- Always maintain tension on the line when operating in rescue mode. Do not allow slack line. Hand tension the line if necessary. Failure to do so can result in serious injury or death.
- Always raise the load before lowering the load, failure to do so may cause damage to the unit that will prohibit it functioning in the rescue mode, and can result in serious injury or death.
- Remove the unit from service and return to the manufacturer or authorized service center for factory service if unit has been used to rescue a user.



**CAUTION**



- DO NOT use as a materials hoist.
- Ensure the activation knob shows no yellow label below it before cranking with full force.

- **RESETTING THE SRL-R FROM RESCUE MODE TO FALL ARREST MODE**

1. Remove load from the line, pull and rotate activation knob until arrow points from “Rescue” to “SRL” mode; the knob has a lock position and will resist slight twisting pressure when properly locked. The yellow label will be visible around the base of the knob. *See figure 5.*
2. Push detent pin and collapse handle to closed position, lift crank grip and rotate flat to the crank handle. *See figure 5.*
3. Align handle to handle cap post and assemble handle cap and pin in place with handle cap pin. *See figure 7.*

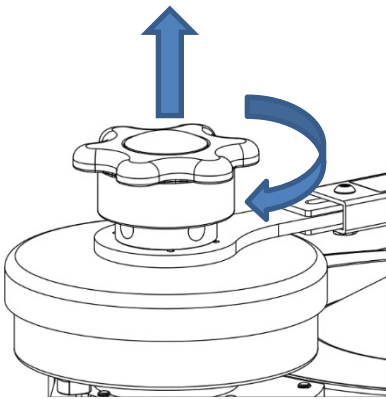


Figure 5

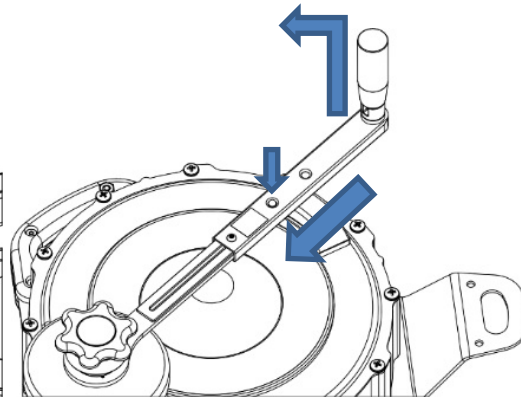


Figure 6

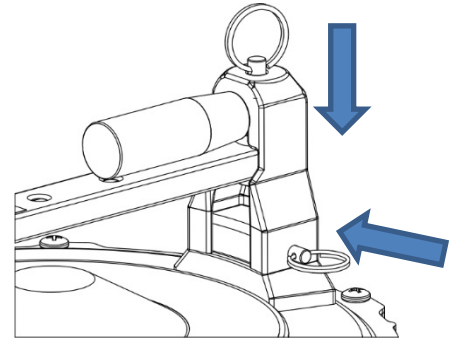


Figure 7

- Confirm the SRL-R is in fall arrest mode by paying out line and observing that it automatically retracts back into the unit.
- After paying out the line, perform a lock test on the unit by pulling down sharply on the cable to ensure the unit locks.

# PRODUCT LABELS



## Rescue Specifications



Mode Arrow



Mode



Pin Stops

All Models

Reliance Industries P.O. Box 2046 Deer Park, TX 77536  
Phone: 281-930-8000 Toll Free: 888-362-2826 Fax: 281-930-8666

412000-100 Rev B