



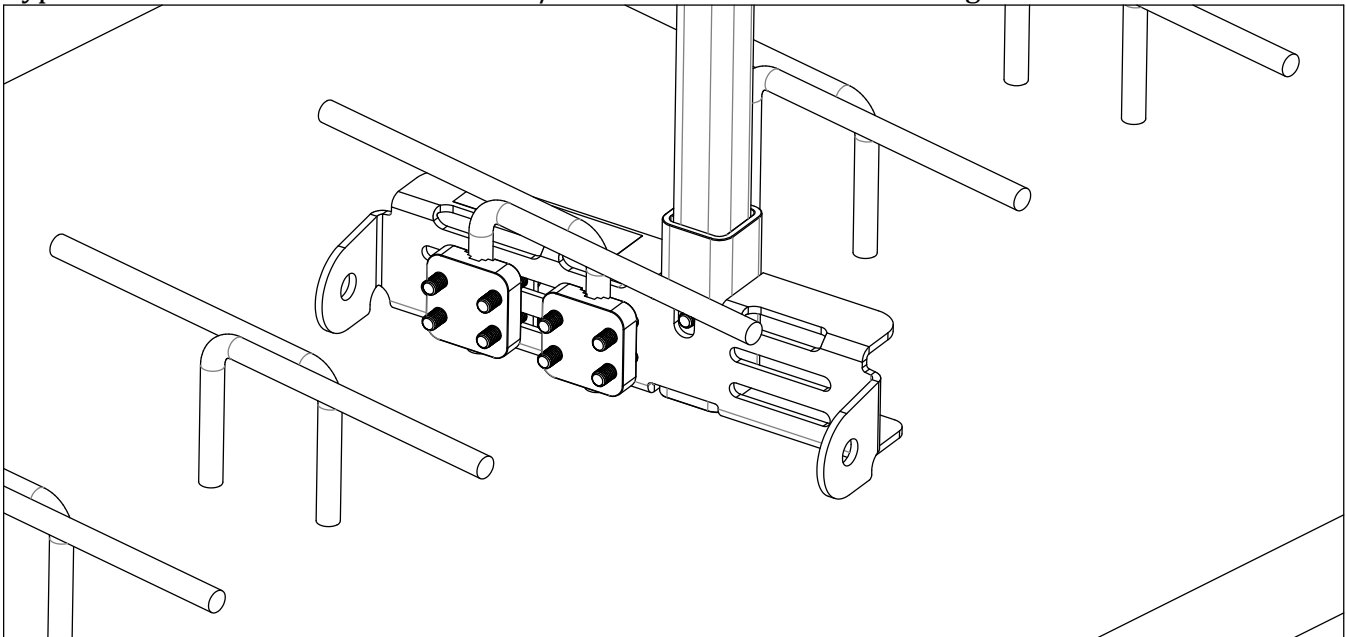
Reliance Fall Protection • 2101 S. Battleground • P.O. Box 2046 • Deer Park, TX 77536

Optional Mounting Methods for use with 6262-1 Modular Stud/Rebar Stanchion Receiver, & 6202-1 Stud/Rebar Tie-Back Bracket

The 6262-1 Modular Stud/Rebar Bracket and 6202-1 Stud/Rebar Tie-Back Bracket can be used on “L” Rebar with the following guidelines.

- The Minimum “L” Rebar size is #5, Grade 40 or 60 with minimum 4’ embed with end tied or bent to prevent pullout.
- The Minimum Height under the “L” Rebar is 4-1/8”.
- The Minimum “L” Rebar Spacing is 3”.
- Reposition the Short Side Grip Plate, to the Long Side of the bracket. Keep one of the Grip Plates as close to the Stanchion Receiver tube as possible.
- Position Tie-Back Brackets on separate “L” Rebar rows.

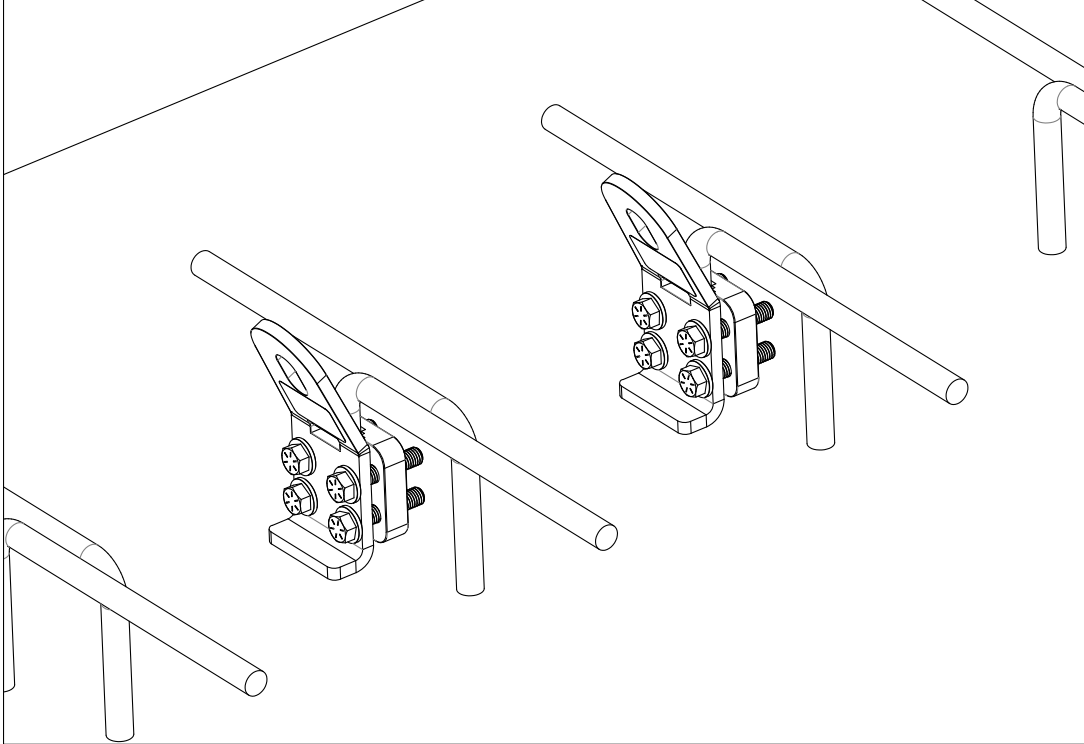
Typical “L” Rebar 6262-1 Modular Stud/Rebar Bracket Installation Diagram





Reliance Fall Protection • 2101 S. Battleground • P.O. Box 2046 • Deer Park, TX 77536

Typical "L" Rebar 6202-1 Stud/Rebar Tie-Back Brackets Installation Diagram



Caution: Contractor/Project Engineer must follow Installation Instructions and guidelines in accordance with M_6262 Modular Stud Manual.