



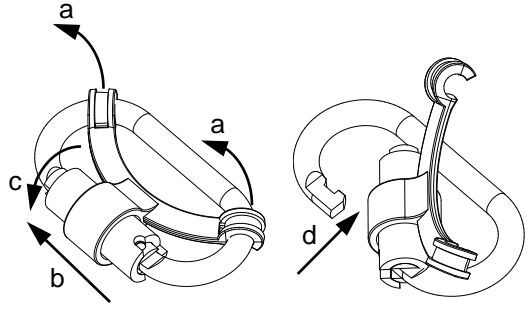
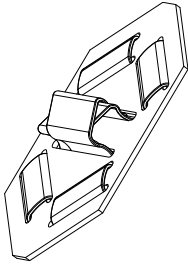
SUPPLEMENTAL INSTRUCTIONS

3062-36TL Back-Mount Carabiner Lock

Complies with current ANSI Z359.14 and all applicable OSHA regulations and requirements.

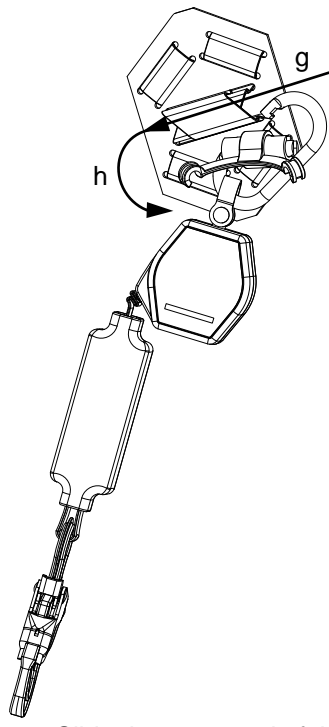
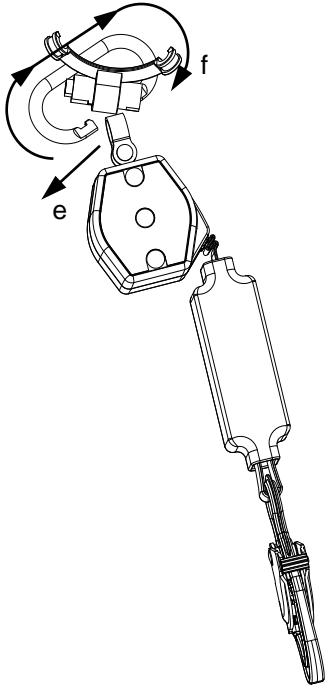
Reliance Industries
P.O. Box 2046
Deer Park, TX 77536

Phone: 281-930-8000
Toll Free: 888-362-2826
Fax: 281-930-8666



1. Pull both webbing shoulder straps in the back D-ring into a loop away from the black back plate. Create a loop large enough to allow insertion of the carabiner.

2. Lift the arms of the carabiner lock up (a), unlock and open the carabiner by pushing the gate forward (b), rotating the gate (c) and pushing the gate in (d).

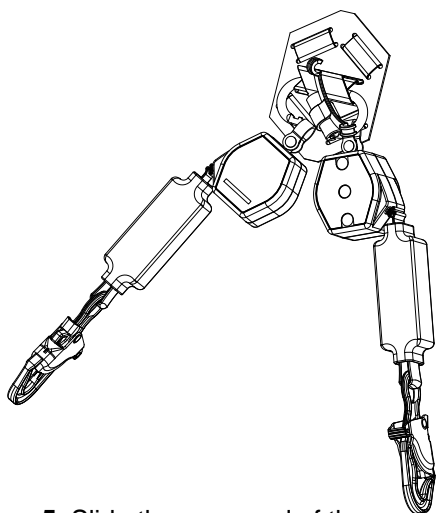


3. Slide the open end of the carabiner onto the top swivel of the first SRL (e). Slide the SRL all the way around to the backside of the carabiner (f).

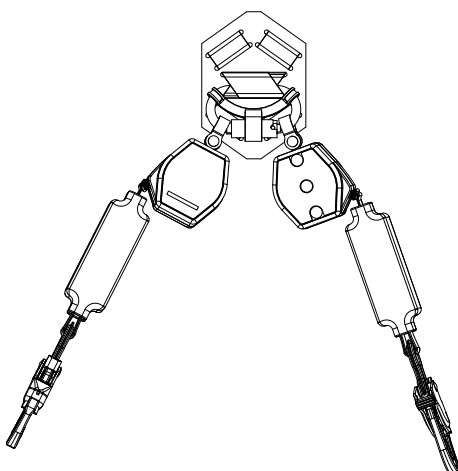
4. Slide the open end of the carabiner into the webbing loop (g) and rotate until the gate is down (h).

* Micro-Loc shown, also applies to StopLite and Roto-Loc models

6. Ensure that the carabiner gate is in the fully locked position and that the carabiner lock arms are fully snapped onto the carabiner.

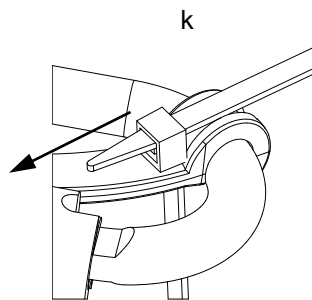
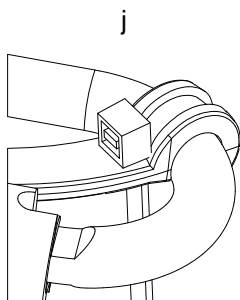
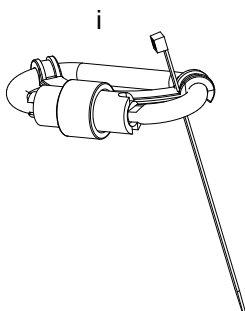


5. Slide the open end of the carabiner onto the top swivel of the second SRL. Close the carabiner gate and snap the gate lock arms onto the carabiner, ensure that the webbing is centered between the arms.



7. Supplemental locking instructions:

Slide a 0.18-0.19" wide cable tie through the hole in the carabiner lock arm as shown (i & j). Insert the end of the cable tie into the locking head and pull tight (k). Trim off end of cable tie.



WARNING

This product is one part of a personal fall arrest, restraint, work positioning, personnel riding, climbing, or rescue system. Without the other necessary components in such sub-systems the Back-Mount Carabiner Lock itself serves no useful purpose. The user must follow the manufacturer's instructions for each component of the system. These instructions must be provided to the user before using this product and retained for ready reference by the user. The user must read, understand (or have explained), and heed all instructions, labels, markings and warnings supplied with this product and with those products intended for use in association with it before using this equipment. Manufacturer's instructions must be followed for proper use and maintenance of this equipment. National standards and state, provincial and federal laws require the user to be trained before using this product. This manual can be used as part of a such a user safety-training program that is appropriate for the user's occupation.

This product must be inspected daily by a competent person.

Inspection Criteria:

1. Ensure that there are no cracks, breaks or significant damage to the carabiner lock.
2. Ensure that the arms of the Carabiner Lock are fully seated against the carabiner.
3. Ensure that the carabiner gate is in the fully locked position.
4. If cable ties are being used as supplemental locks, ensure that they are tight and undamaged.

If any defects are found remove the Carabiner Lock from service immediately.

**Reliance Industries
P.O. Box 2046
Deer Park, TX 77536**

**Phone : 281-930-8000
Toll Free : 888-362-2826
www.relsafe.com**

Copyright 2021 Reliance Fall Protection
3062-36T-100 Rev A