



Horizontal Lifeline System Components

Table of Contents



Reliance Horizontal Lifelines : Types of Systems	3
2134 : Bowshackle Retaining Clip	4
3083-12 : Rebar Anchor Stanchion for Concrete	4
3088-0XX : Rebar Anchor Assembly	5
3089 : Adjustable Width Beam Anchor	5
3098 : Adjustable Width Beam Anchor	6
5100 : Pulley with Stainless Steel Side Plates	6
5103 : Bow Shackle Pulley	7
5200 : Rescue Ladder Mounting Bracket	7
5230 : Wire Rope Ladder for HLL Rescue	8
6000 : Inline Shock Absorber	8
6021-1 : Rigging Screw	9
6050 : Inline Cable Clamp (Zinc)	9
6051 : 1/2" Cast Inline Clamp	10
6052 : Inline Cable Clamp (Stainless)	10
6055 : 3/8" Combination Clamp	11
6062/6066 : Bow Shackles (Stainless)	11
6063 : 1/2" Bow Shackle (Galvanized)	12
6067 : 5/8" Bow Shackle (Galvanized)	12
6070-XX : 3/8" Galvanized Cable	13
6071-XX : 1/2" Cable Tie-Back	13
6076 : 2" Ratchet Strap Tieback Assembly	14
6077-21 : 1/2" Cable Tieback Assembly	14
6082 : 3/8" Stainless Wire Rope Clip	15
6088 : 1/2" Stainless Wire Rope Clip	15
6090 : 3" Ratchet Assembly	16
6092 : 3" Ratchet Strap	16
6122 : 2" Tieback Ratchet	17
6123 : 2" Ratchet with Web Shock Absorber	17
6127 : 15" x 2" Tieback Ratchet Strap with Wear Sleeve	18
6140 : Standard StrongBack®	18
6141 : Adjustable StrongBack®	19
6142 : Narrow StrongBack®	19
6151, 6178, 6163 : End/Bypass Stanchion	20
6154 : Weld-on Receiver for End and Bypass Stanchions	20
6166 : Clamp-on Bypass for Rebar Stanchion Systems	21
6167 : Weld-on Bypass Bracket	21
6168 : Weld-on Bypass Bracket	22
6170 : Receiver Bracket for Looped Rebar HLL Systems	22
6172 : Ratchet Strap Bypass Assembly	23
6173 : Concrete Beam Receiver Base (Upper & Lower Plate)	23
6181 : PVC Drop-In Sleeve for Stanchion	24
6185-10 : Bolt Down Stanchion Receiver for Concrete	24
6190 : 60" HLL Extension Bar	25
6191 : 84" HLL Extension Bar	25
6200-XX : Rebar Tie-Back Anchor Plate	26
6200-21, 6210-21, 6220-21 : 60"/72"/84" Commercial Rebar Stanchion Head Tieback Assemblies	26
6200-23, 6210-23, 6220-23 : 60"/72"/84" Concrete Rebar Stanchions	27
6230 : HLL Stanchion Beam Clamp (Wide)	27
6231 : Horizontal Lifeline Stanchion Beam Clamp	28
6233 : Horizontal Lifeline Stanchion Beam Clamp	28
6235 : Horizontal Lifeline Stanchion Beam Clamp (Inverted)	29
6240 : Horizontal Lifeline Stanchion Beam Clamp (Universal)	29
6260 : Nelson Stud Bracket Base	30
6452 : Stainless Steel Horizontal Lifeline Hands-Free Bypass Support	30
6454 : Stainless Steel Horizontal Lifeline Hands-Free Bypass Support	31
6461 : Horizontal Lifeline Hands Free Dual Wheel Traveler	31
6310 : Portable Horizontal Lifeline System w/o anchorages or cable	32
6320-30 : 30' Temporary Horizontal Lifeline System	33
6320-60 : 60' Temporary Horizontal Lifeline System	33



Horizontal Lifeline System Components - Types of Systems

Reliance manufactures a variety of horizontal lifeline components and systems that are designed specifically for segments of industry where fall hazards that require unique, functional solutions exist. The components outlined in this manual are common elements in the types of systems shown below; the manual does include specialty components designed for use in other highly custom areas. Many of the components in Road & Bridge, Structural Steel, and Concrete systems are common to all three types.

Road & Bridge Systems



Road & Bridge systems use components that were developed to meet the standard requirements of road and bridge work environments, and have been thoroughly field tested on actual jobsites. Reliance Horizontal Lifeline Systems for Road and Bridge work share a common horizontal lifeline system, but use different anchor, stanchion, and other elements specific to the environment in which they are installed.

Structural Steel Systems



Structural steel systems are designed for installation on existing structures. Most structures can be accommodated with off the shelf components. System height is 5' - 7' (1.5 - 2.1m) above the walking surface or can be configured to hang from above. System stabilization is maintained with tie-back cables or strong back struts when stanchions are utilized. On structures where clamping on the top flange of I-beams is not feasible, underslung clamps may be used.

Concrete Systems



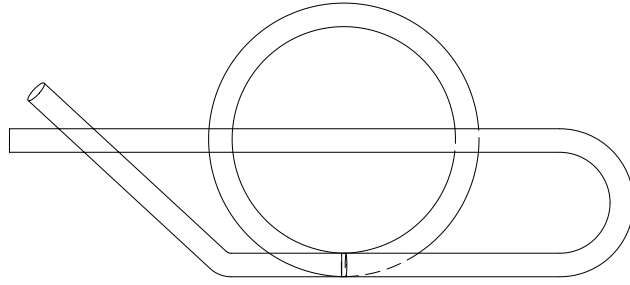
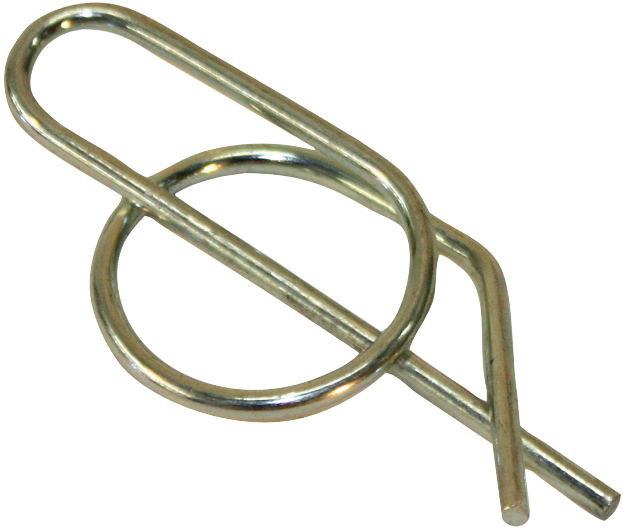
Construction projects utilizing concrete foundations are among the most common in building sites worldwide. Reliance offers several off the shelf systems which effectively address most concrete construction applications. Since each project has unique challenges, custom fabrication of brackets and structural interfaces are available upon request.

Specialty Systems



With our large selection of off the shelf components, most any structure may be fitted with a permanent or temporary Reliance horizontal lifeline. With the ability to 'tune' our lifeline systems, Reliance can accommodate clearance and span geometries that our competitors have difficulty with.

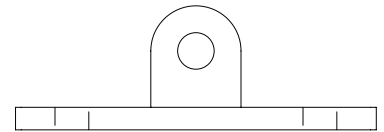
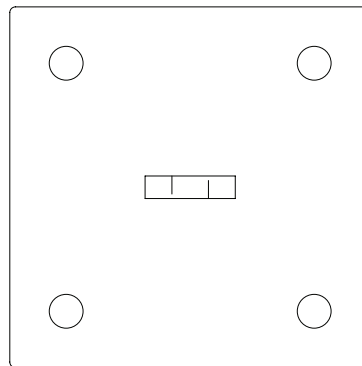
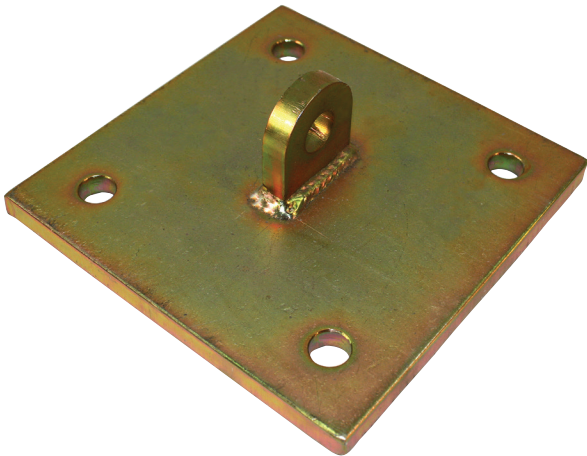
Horizontal Lifeline System Components



No Replaceable Parts

Retaining Pin
Product Number: 2134

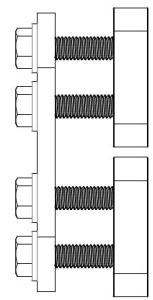
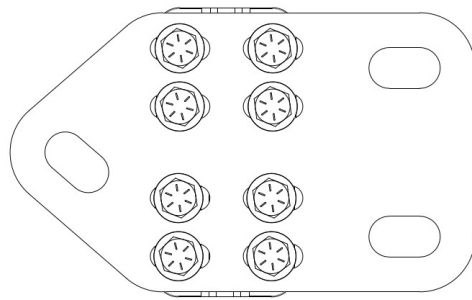
Retaining Pin. No tools required for installation.



No Replaceable Parts

Rebar Anchor Stanchion System for Concrete Construction
Product Number: 3083-12

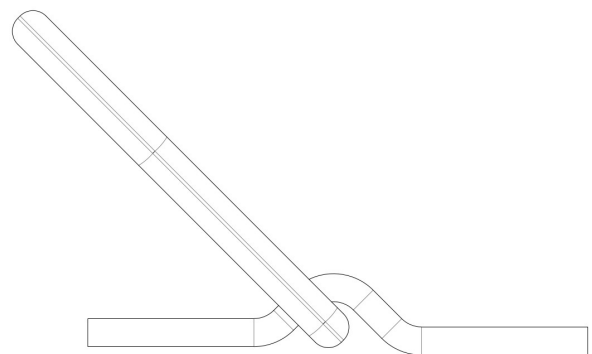
8"X8" single lug bolt-down anchor plate for tie back in concrete
(*Sold only as parts of complete engineered systems or to registered customers as replacement parts.)



Replaceable Parts	
Part #	Description
2102-50-250-4	1/2" X 2-1/2" Grade B Tap Bolt
2122-50-6	1/2" SAE Washer

Horizontal Lifeline Rebar Anchor Assembly Product Number: 6203

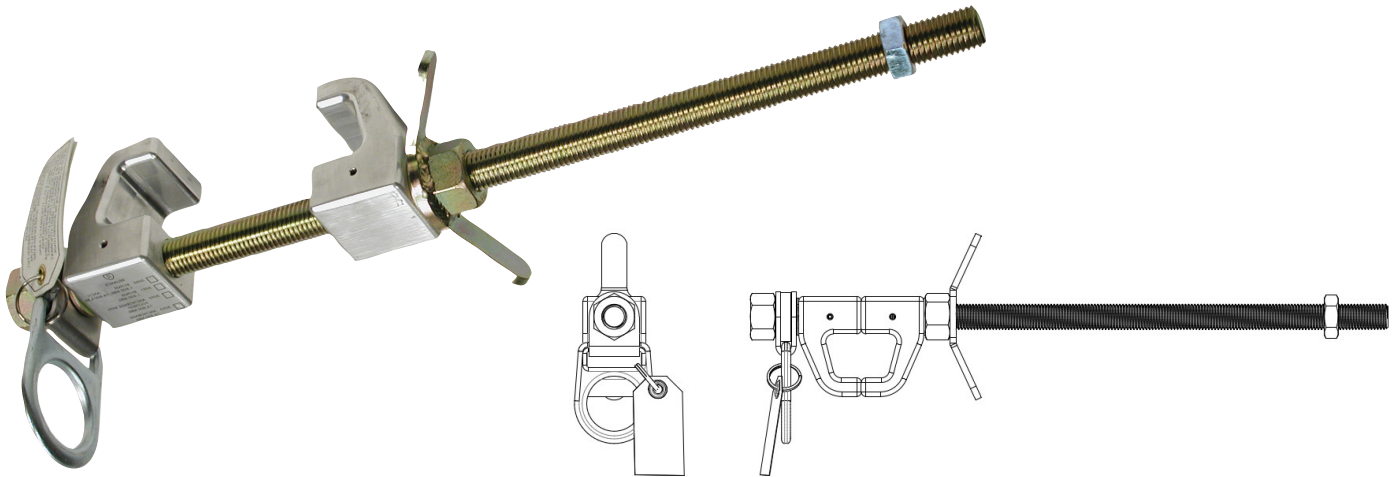
HLL Rebar Anchor Assembly for rebar sizes #6 to #11



Bolt-On/Weld-On D-Ring Anchors Product Number: 3066 (Bolt-On), 3068 (Weld-On)

Retaining Pin. No tools required for installation.

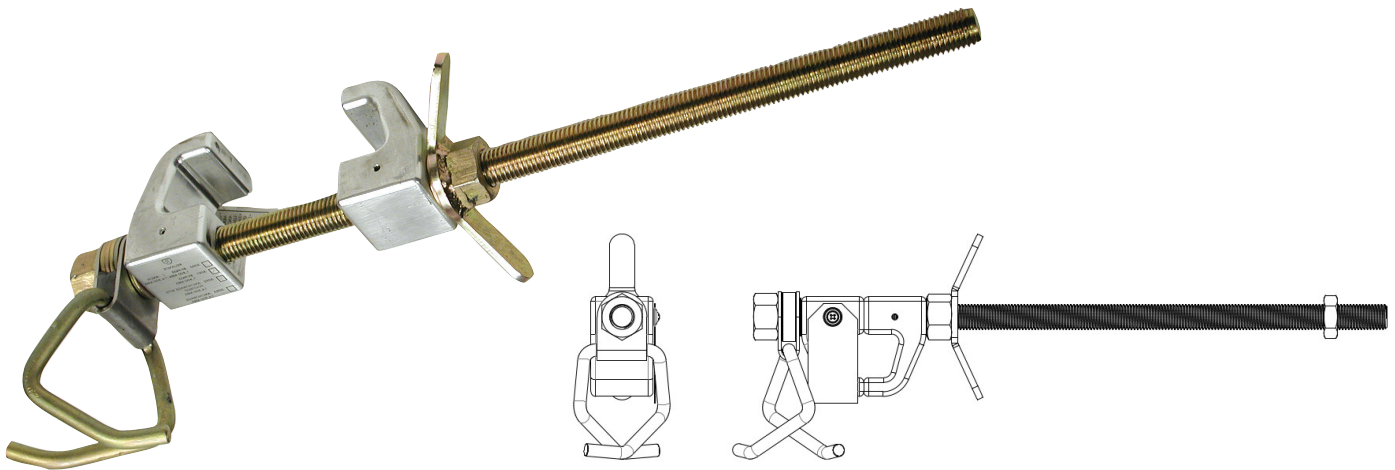
Horizontal Lifeline System Components



No Replaceable Parts

Horizontal Lifeline Structural Steel Anchor Clamp with D-Ring Product Number: 3093

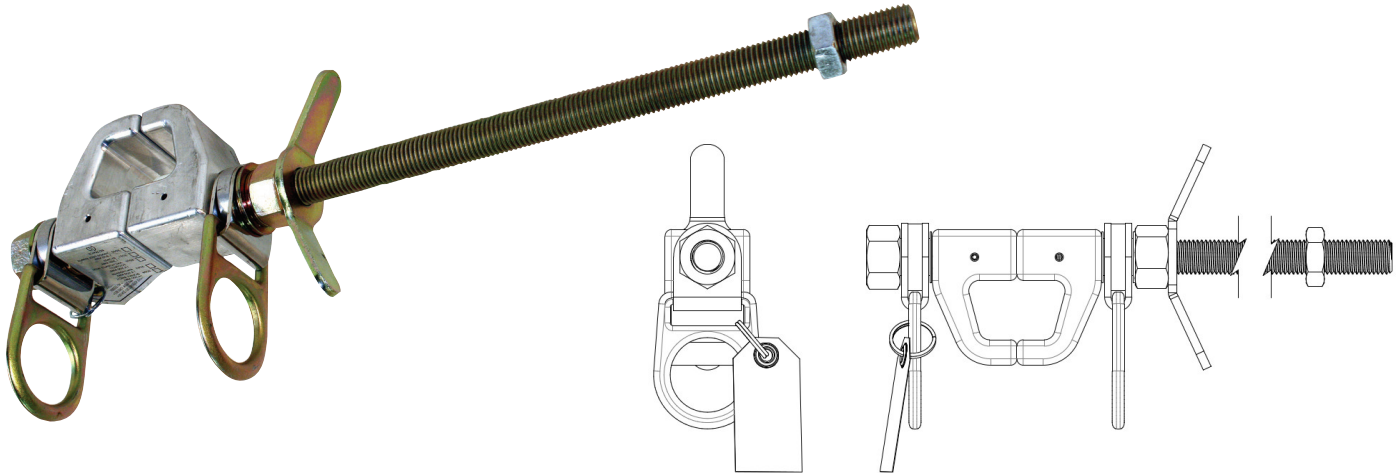
Temporary (Movable) Anchorage designed to be used for steel erection. Provides D-ring anchor point for attachment of a Personal Fall Arrest System. 14,500 lbs. maximum breaking strength. Attaches to I-Beams with 4" to 16-5/8" flanges and 1/2" to 1-3/4" flange thickness.



No Replaceable Parts

Horizontal Lifeline Bypass Beam Clamp Product Number: 3091

Temporary (Movable) Anchorage provides additional bypass without a stanchion. Bypass Clamp has 14,500 lb. rating. Horizontal Lifeline anchor clamp for steel erection. Attaches to I-beams 4" to 16-5/8" wide with a 1/2" to 1-3/4" flange thickness.



No Replaceable Parts

Adjustable Width Beam Anchor
Product Number: 3098

Dual anchor ring for personal fall arrest equipment or engineered Horizontal Lifeline. Attaches to I-Beams with 4" to 16-5/8" flanges and 1/2" to 1-3/4" flange thickness (4 - 41.5cm width, .6 - 4.4cm thick)

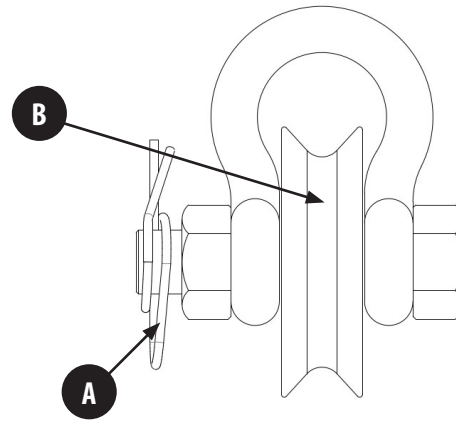


No Replaceable Parts

Pulley with Stainless Steel Side Plates
Product Number: 5100

Pulley with Stainless Steel Side Plates.

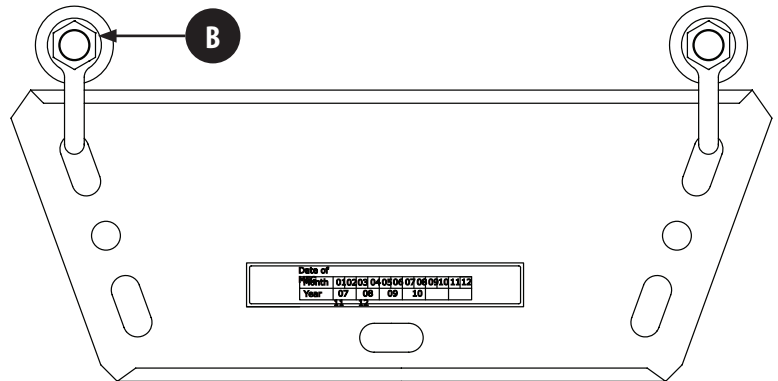
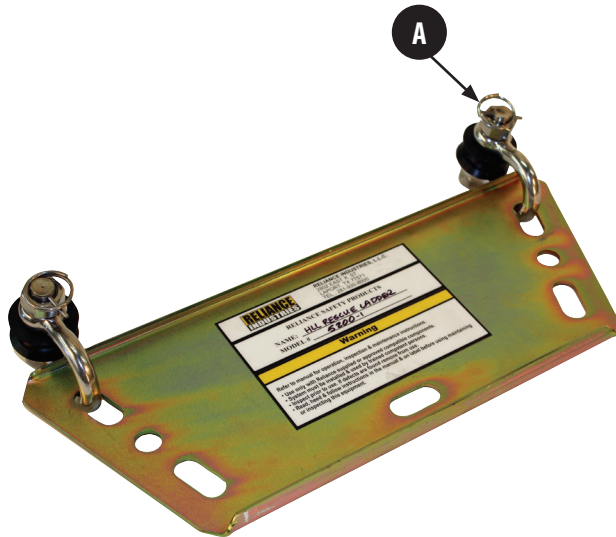
Horizontal Lifeline System Components



Replaceable Parts	
Part #	Description
2134	Retaining Pin (A)
5104-28	Pulley Wheel (B)
5104-32	Pulley Wheel Spacer (2 ea)

Bow Shackle Pulley Product Number: 5104

Bow Shackle Pulley - 3/8" (10mm) Cable

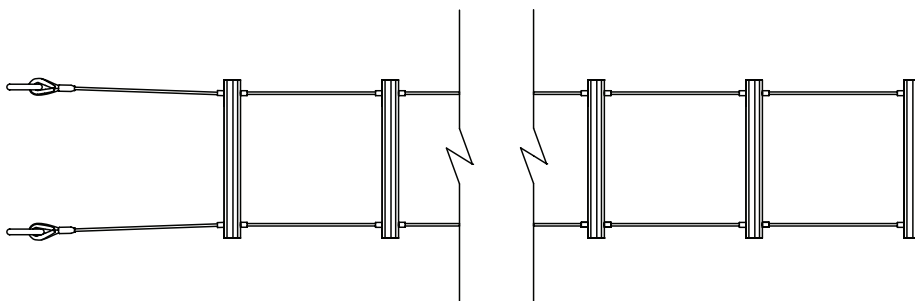
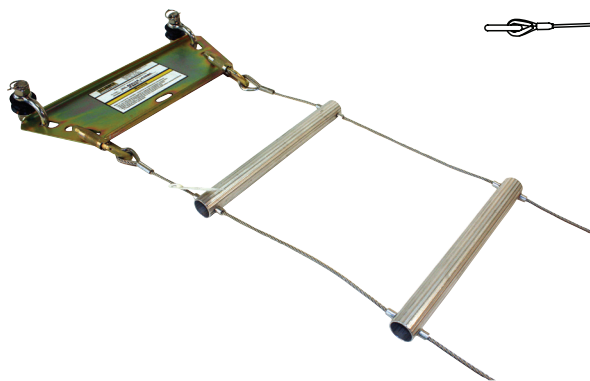


Replaceable Parts	
Part #	Description
2134	Retaining Pin (A)
5104	Bow Shackle Pulley

Horizontal Lifeline Rescue Ladder Mounting Bracket Product Number: 5200

Horizontal Lifeline Rescue Ladder Mounting Bracket. Used with 52XX Wire Rope Rescue Ladder.

Horizontal Lifeline System Components

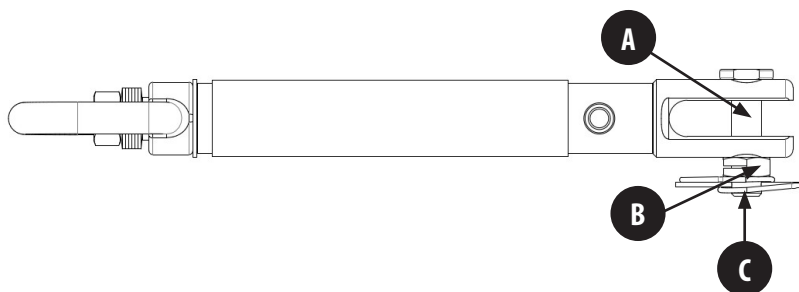


No Replaceable Parts

Wire Rope Ladder for Horizontal Lifeline Rescue

Product Numbers: 5210, 5220, 5230, 5240, 5250, 5260 (last two digits denote length in feet)

30' (9.1m) Wire Rope Ladder for Horizontal Lifeline rescue (#5200 bracket not included)



Replaceable Parts

Part #	Description
6000-28	1/2" X 1-1/2" stainless steel pin (A)
2110-50-5	1/2" stainless steel hex nut (B)
2134	Bowshackle retaining clip (C)

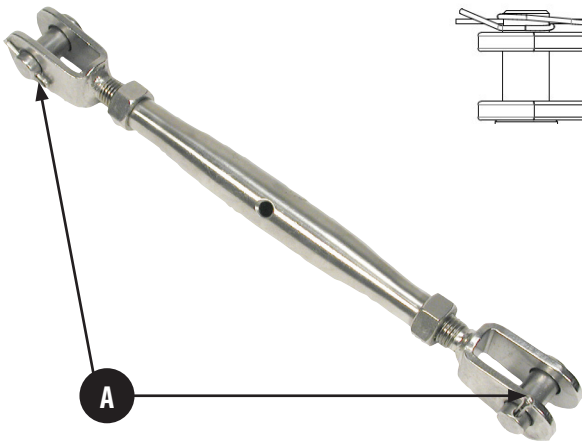
Skyline™ HLL Energy Absorber

Product Number: 6000

Shock absorber assembly made from stainless steel. 5.25" travel at 2000 lbs. of force

*Sold only as parts of complete engineered systems or to registered customer as replacement parts.)

Horizontal Lifeline System Components

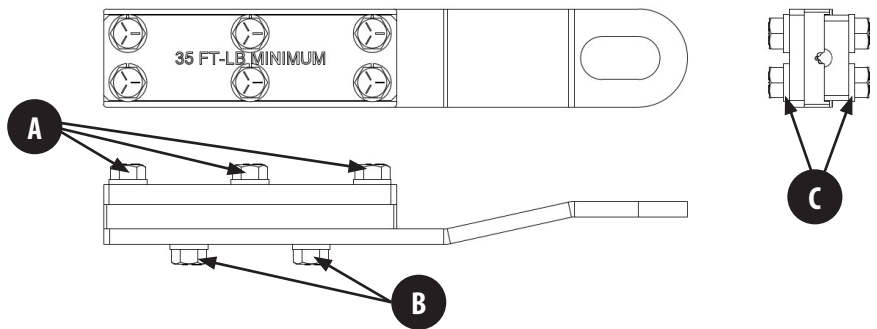
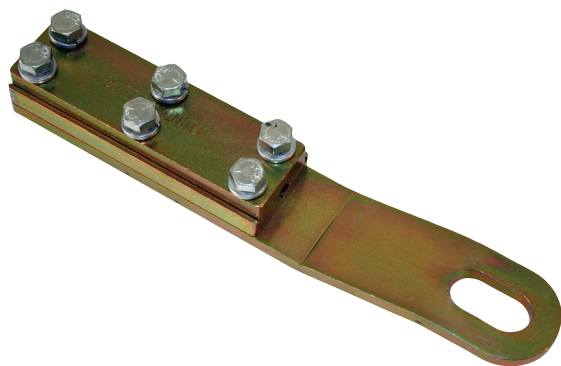


Replaceable Parts	
Part #	Description
2134	Retaining Pin (A)

Stainless Steel Rigging Screws

Product Number: 6021-1

For use as a component of a tieback assembly (6077) or permanent lifelines kit # (6300). 8" travel adjustment. (*Sold only as parts of complete engineered systems or to registered customers as replacement parts.)



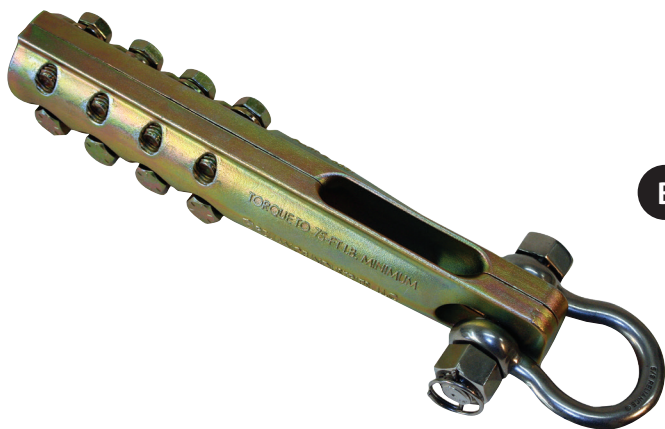
Replaceable Parts	
Part #	Description
2102-43-125-1	7/16" X 1-1/4" Zinc Hex Bolt for top plate (A)
2102-43-75-1	7/16" X 3/4" Zinc Hex Bolt for bottom plate (B)
2122-43-3	7/16" Zinc lock washer (C)

Zinc Plated Inline Cable Clamp

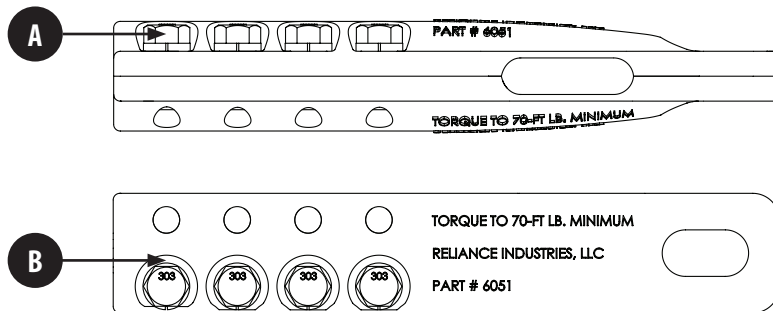
Product Number: 6050

Can clamp anywhere along 3/8" (10mm) wire rope without crimping or damaging the cable. Zinc plated. (*Sold only as parts of complete engineered systems or to registered customer as replacement parts.)

Horizontal Lifeline System Components



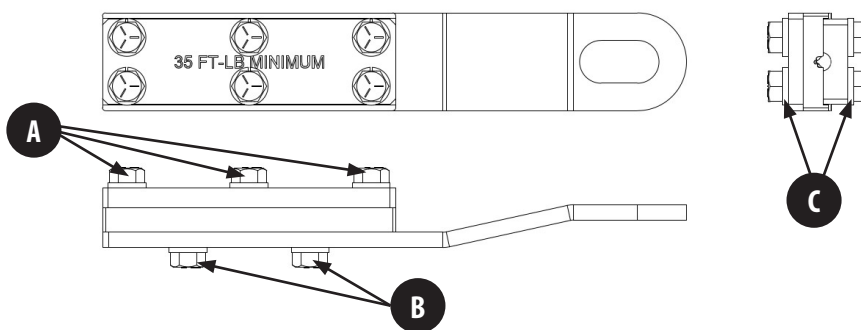
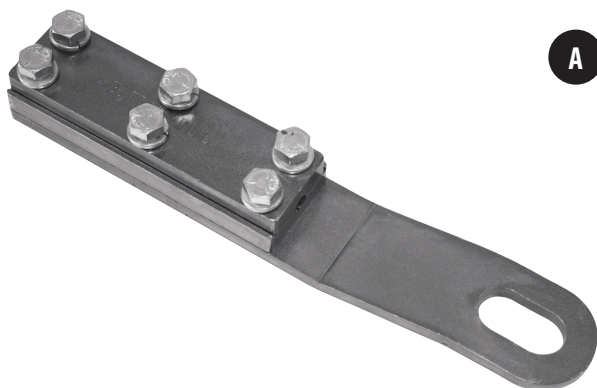
*Shackle and bolt not included



Replaceable Parts	
Part#	Description
2102-50-150-1	1/2" X 1-1/2" hex bolt - Zinc (A)
2122-50-3	1/2" lock washer (B)

Cast Inline Clamp Product Number: 6051

1/2" Cast Inline Clamp (bow shackle not included) for horizontal lifeline systems.

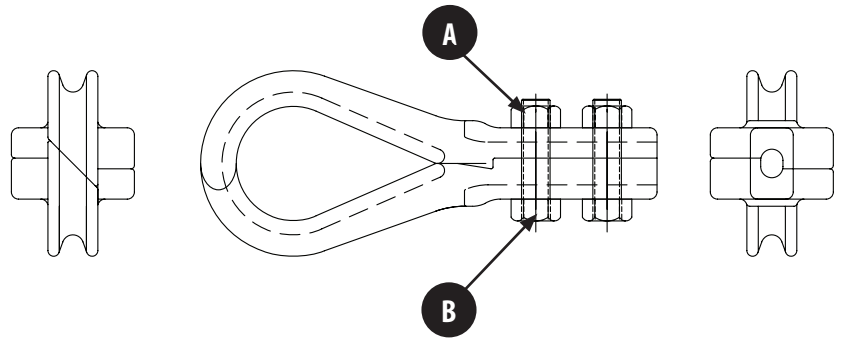
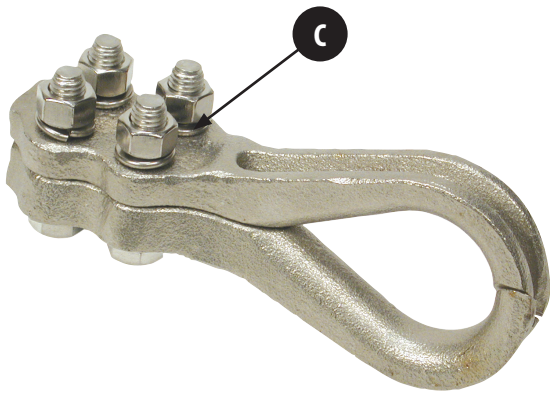


Replaceable Parts	
Part#	Description
2100-43-125-1	7/16" X 1-1/4" Stainless Hex Bolt for top plate (A)
2100-43-75-1	7/16" X 3/4" Stainless Hex Bolt for bottom plate (B)
2120-43-3	7/16" Stainless lock washer (C)

Stainless Steel Inline Cable Clamp Product Number: 6052

Can clamp anywhere along 3/8" wire rope without crimping or damaging the cable. Stainless steel.
(*Sold only as parts of complete engineered systems or to registered customer as replacement parts.)

Horizontal Lifeline System Components



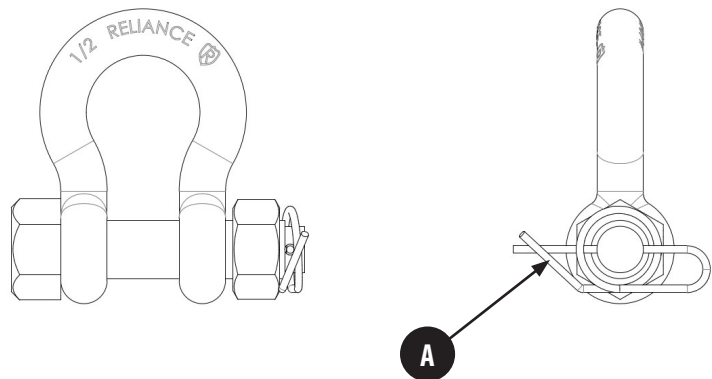
Replaceable Parts	
Part#	Description
2110-50-1	1/2" Stainless Steel Nut (A)
2100-50-250-1	1/2" X 2-1/2" bolt in clamp (B)
2120-50-3	1/2" Stainless Steel Lock Washer (C)

3/8" Large Loop Combo Clamp Wire Rope End Termination

Product Number: 6055

All stainless steel, 4-bolt clamp assures maximum strength.

(*Sold only as parts of complete engineered systems or to registered customer as replacement parts.)



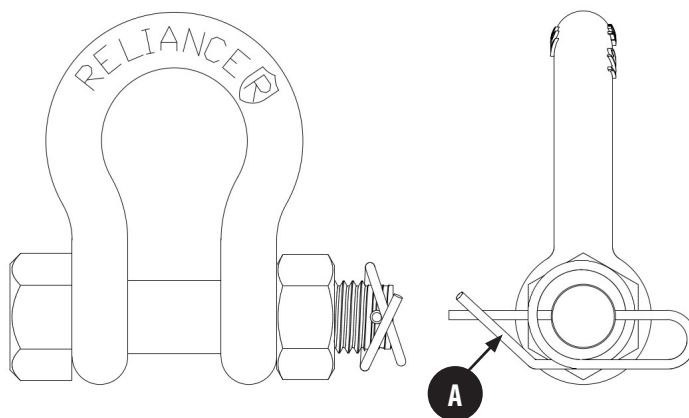
Replaceable Parts	
Part#	Description
2134	Retaining Pin (A)

Stainless Forged Bow Shackle 1/2"

Product Number: 6062

1/2" Stainless steel forged bow shackle. 6066 = 5/8" size

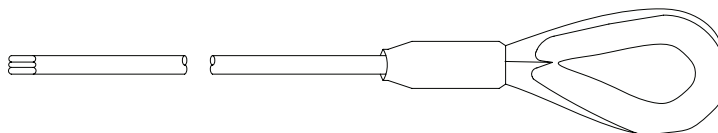
(*Sold only as parts of complete engineered systems or to registered customers as replacement parts.)



Replaceable Parts	
Part#	Description
2134	Retaining Pin (A)

Galvanized Forged Bow Shackle Product Number: 6063 (#6067 : 5/8" version)

1/2" Galvanized Forged Bow Shackle

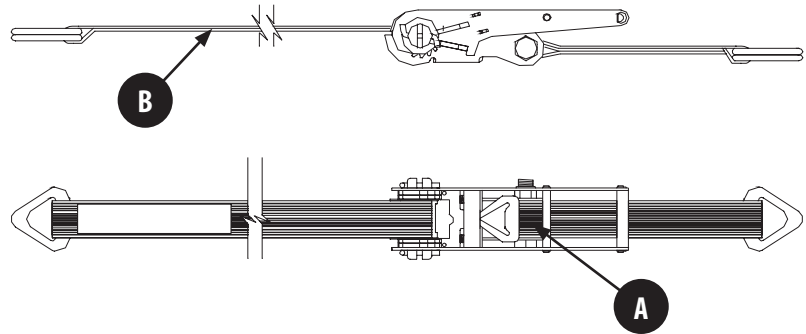
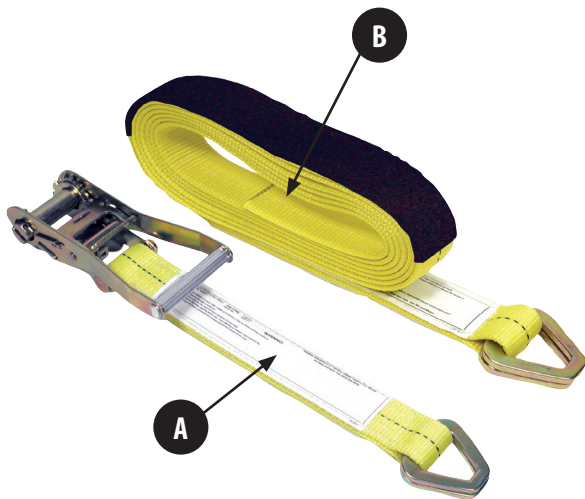


No Replaceable Parts

Skyline™ Lifeline Cable & Tieback Cable Product Number: 6070-XX - Galvanized Aircraft Cable, 6071-XX, Galvanized IWRC Cable for Cable Tieback

6070-XX: 3/8" 7x19 galvanized aircraft cable. 6071-XX: 1/2" 6x25 galvanized IWRC cable. 'XX' designates cable length in feet; 200' (61m) max. length. Fitted with swaged flemish splice on one end and seized on free end. (*Sold only as parts of complete engineered systems or to registered customer as replacement parts.)

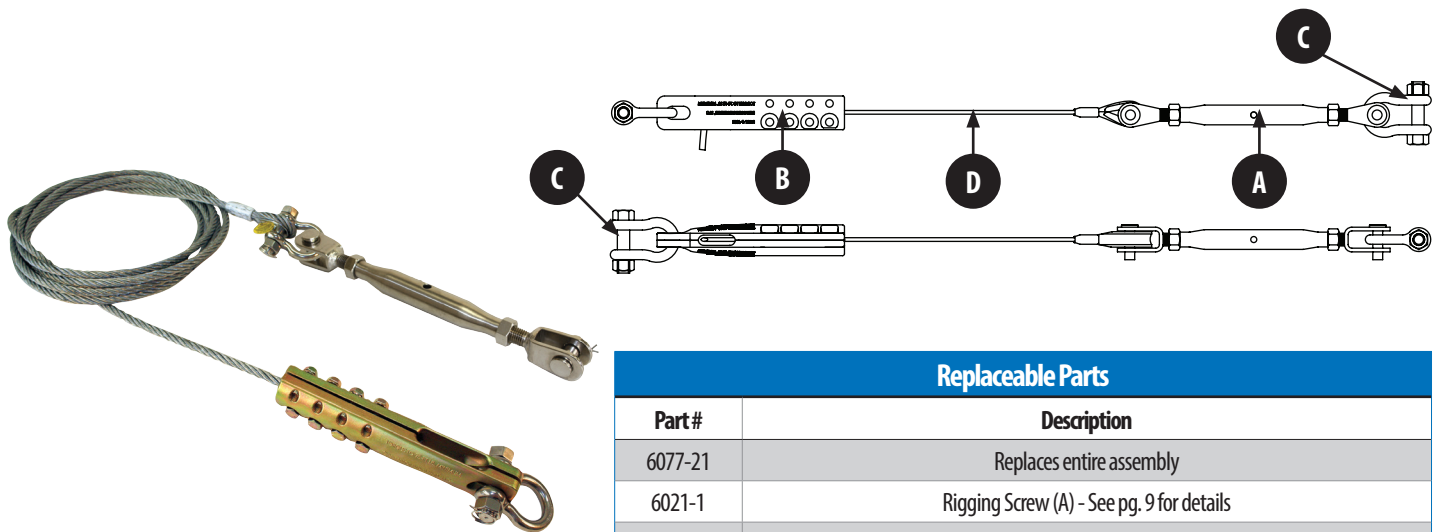
Horizontal Lifeline System Components



Replaceable Parts	
Part #	Description
6122-1	2" ratchet assembly (A)
6127-1	15' web tail with protective sleeve (B)

2" Ratchet Strap Tieback Assembly Product Number: 6076

Used for securing end stanchion termination. Standard 2" ratchet with 15' tail. (*Sold only as parts of complete engineered systems or to registered customers as replacement parts.)

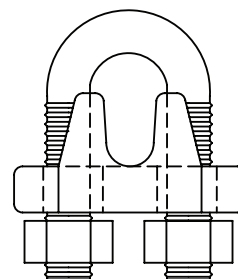
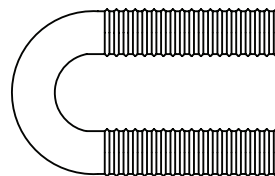
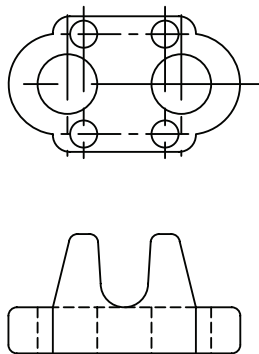


Replaceable Parts	
Part #	Description
6077-21	Replaces entire assembly
6021-1	Rigging Screw (A) - See pg. 9 for details
6051	In-Line cable clamp (B) - See pg. 10 for details
6066	5/8" bow shackle (C) - See pg. 11 for details
6071-22	22' cable (D) - See pg. 13 for details

Cable Tieback Assembly 1/2", Adjustable 21' Length Product Number: 6077-21

Galvanized Cable.

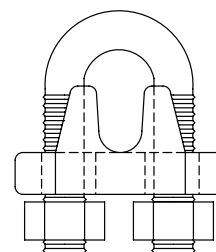
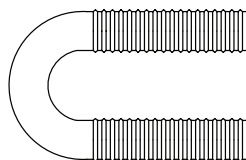
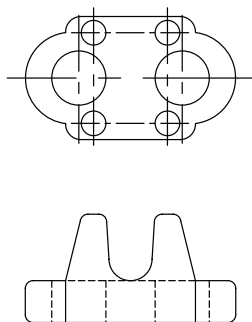
(*Sold only as parts of complete engineered systems or to registered customers as replacement parts.)



No Replaceable Parts

Wire Rope Clip
Product Number: 6082

Stainless steel 3/8" wire rope clips.
(*Sold only as parts of complete engineered systems or to registered customers as replacement parts.)

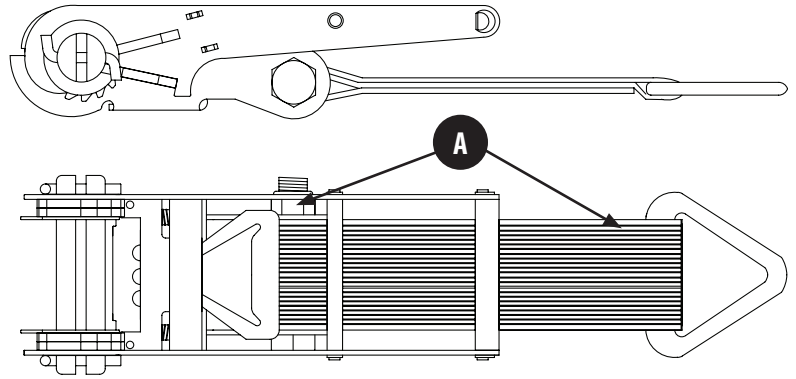
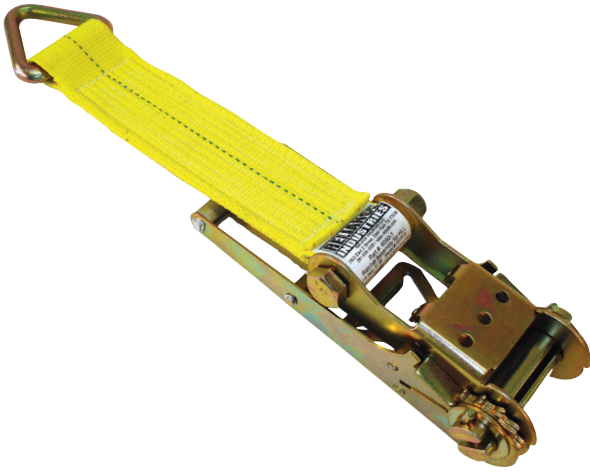


No Replaceable Parts

Wire Rope Clip
Product Number: 6088

Stainless steel 1/2" wire rope clips.
(*Sold only as parts of complete engineered systems or to registered customers as replacement parts.)

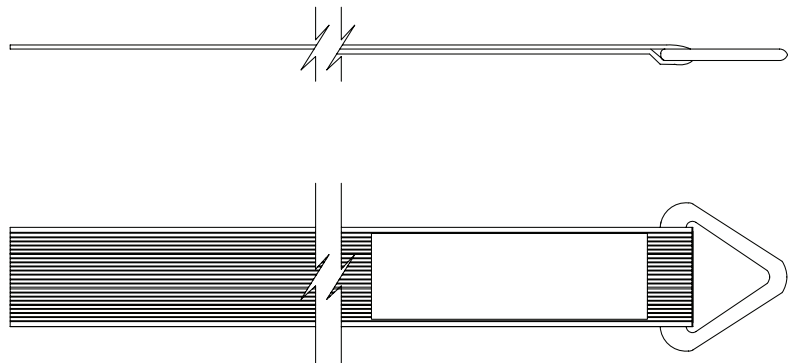
Horizontal Lifeline System Components



Replaceable Parts	
Part #	Description
6090-1	Replaces entire Ratchet Assembly
6090-2	Web strap with triangle ring and Nyloc nut at web attachment (A)

3" Ratchet Assembly Product Number: 6090

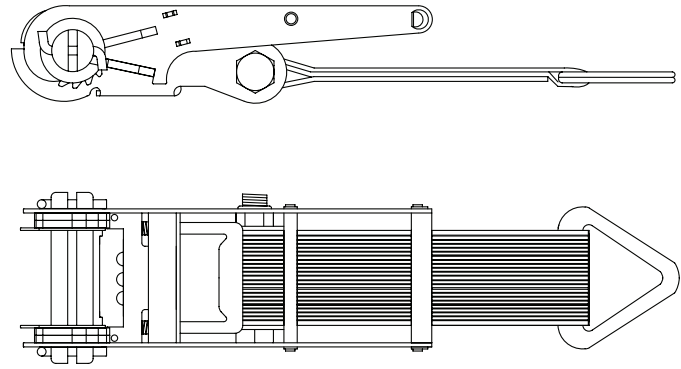
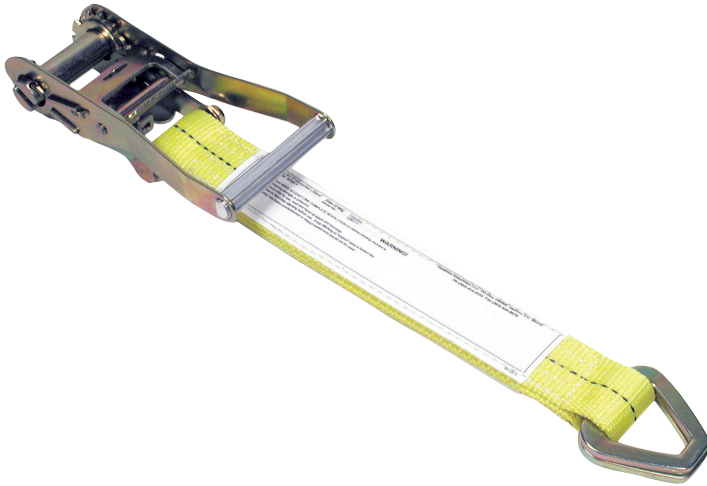
3" Ratchet Assembly. For portable systems.
(*Sold only as parts of complete engineered systems or to registered customers as replacement parts.)



No Replaceable Parts

10' X 3" Webbing Strap Assembly for Portable System Product Number: 6092

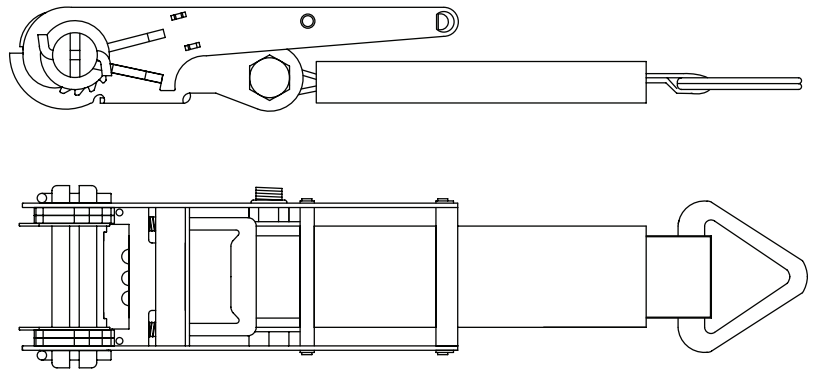
Triangle end. For use with 6090 ratchet assembly (sold separately). Component of 6310.
(*Sold only as parts of complete engineered systems or to registered customer as replacement parts.)



No Replaceable Parts

Tieback Ratchet
Product Number: 6122

2" webbing. Used with 6127 web assembly (sold separately).
(*Sold only as parts of complete engineered systems or to registered customers as replacement parts.)

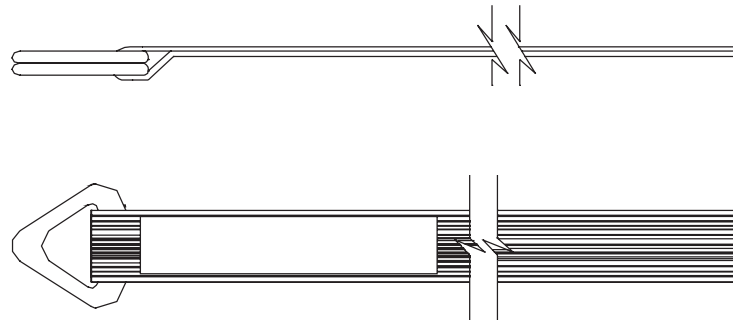


No Replaceable Parts

2" Ratchet with Webbing Shock Absorber
Product Number: 6123

Component of 6320-30 and 6320-60 temporary systems.
(*Sold only as parts of complete engineered systems or to registered customers as replacement parts.)

Horizontal Lifeline System Components

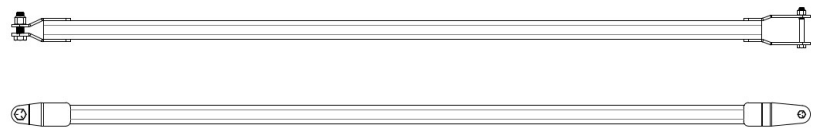
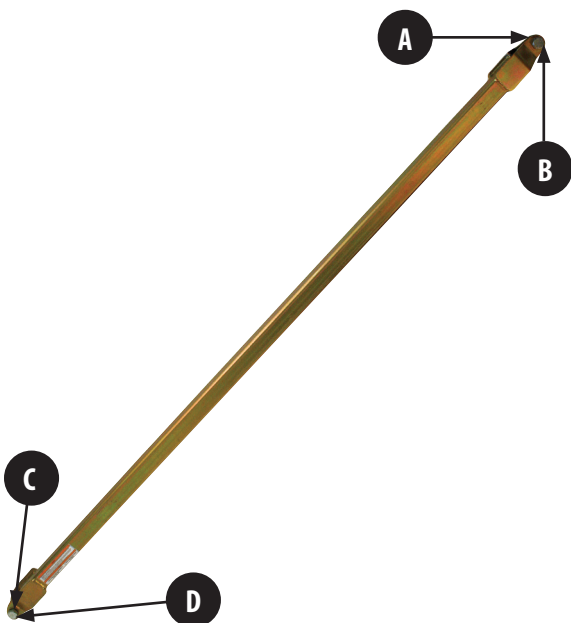


No Replaceable Parts

15' x 2' Tieback Ratchet Strap with Wear Sleeve
Product Number: 6127

Use with 6122 ratchet assembly (sold separately).

(*Sold only as parts of complete engineered systems or to registered customers as replacement parts.)

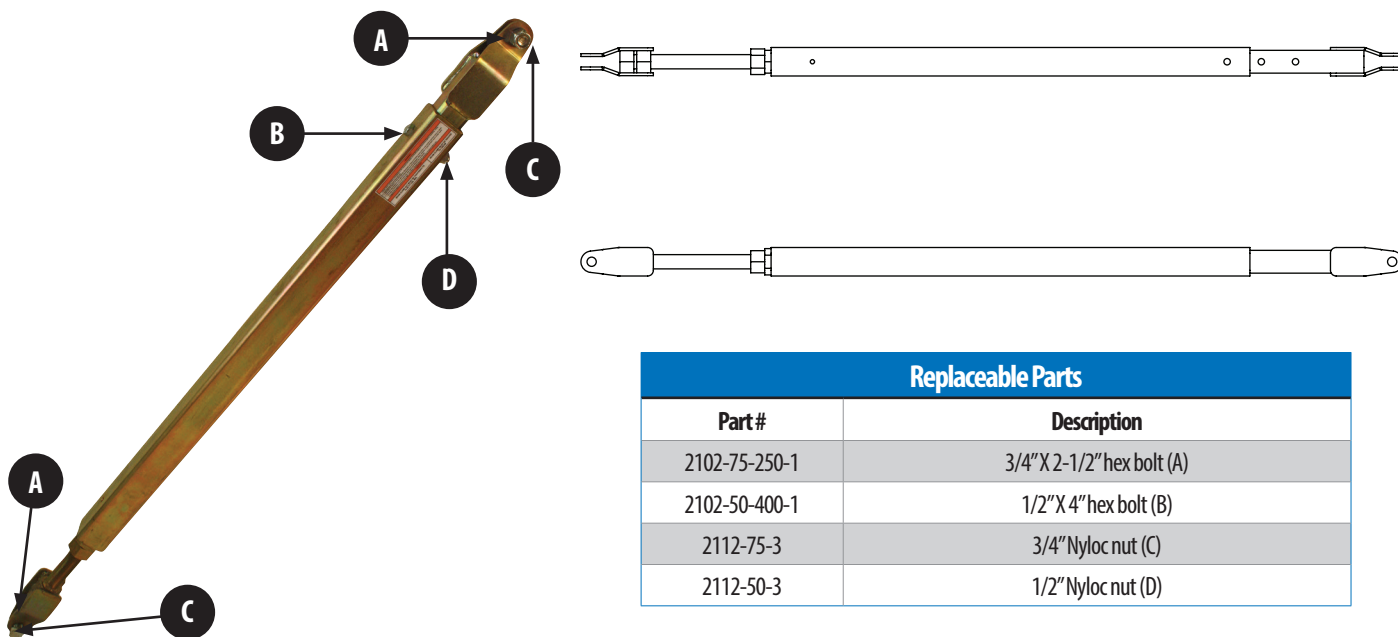


Replaceable Parts	
Part #	Description
2102-75-250-1	3/4" X 2-1/2" hex bolt (A)
2112-75-3	3/4" Nyloc nut (B)
2102-50-400-1	1/2" X 4" hex bolt (C)
2112-50-3	1/2" Nyloc nut (D)

Standard StrongBack®
Product Number: 6140 - 83.5" Length, Product Number 6142 - 82" Length

83.5" & 82" Length Standard Strong Back. End point anchor component for horizontal lifeline systems.

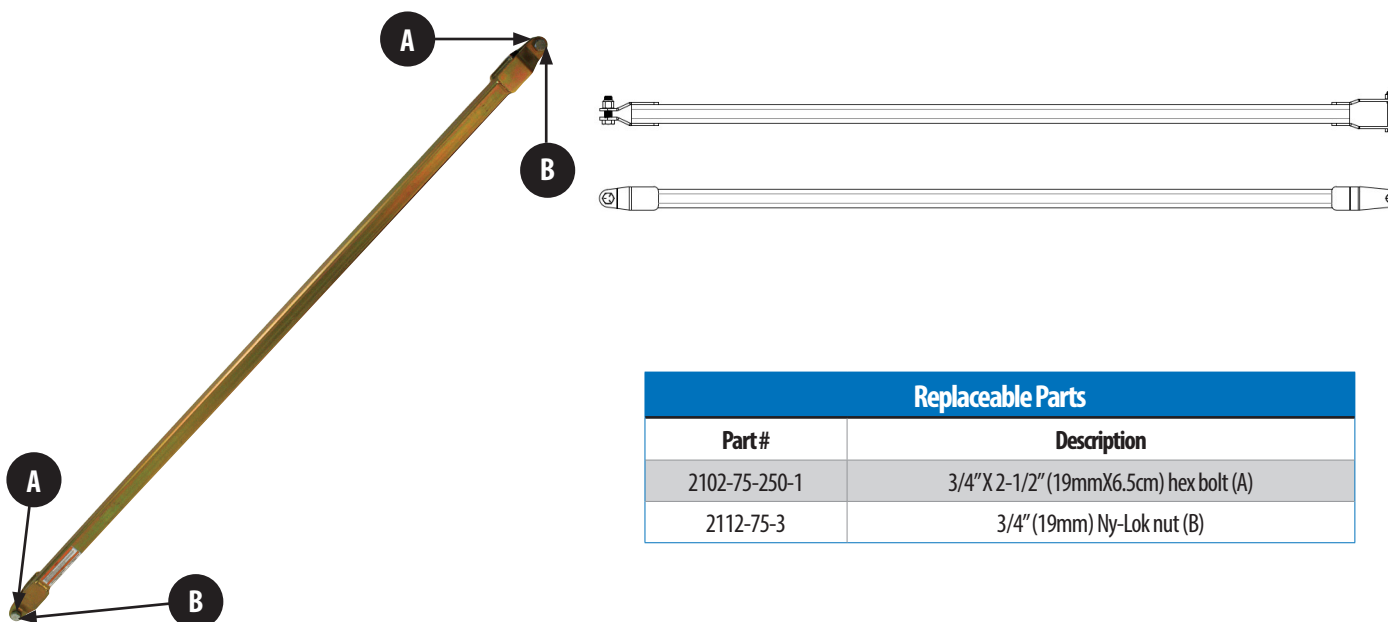
Horizontal Lifeline System Components



Replaceable Parts	
Part#	Description
2102-75-250-1	3/4"X2-1/2" hex bolt (A)
2102-50-400-1	1/2"X4" hex bolt (B)
2112-75-3	3/4" Nyloc nut (C)
2112-50-3	1/2" Nyloc nut (D)

Adjustable StrongBack® Product Number: 6141

82" (2m) Adjustable Strong Back for horizontal lifeline end point anchorages.

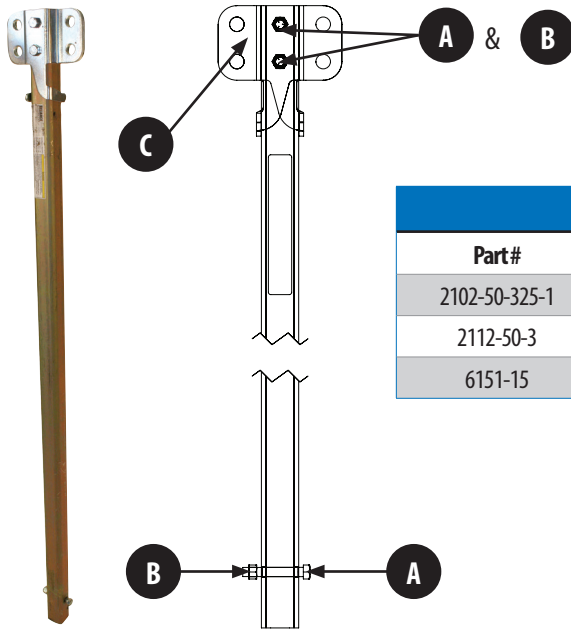


Replaceable Parts	
Part#	Description
2102-75-250-1	3/4"X2-1/2" (19mmX6.5cm) hex bolt (A)
2112-75-3	3/4" (19mm) Ny-Lok nut (B)

Narrow StrongBack® Product Number: 6131 - 99.5" Length, Product Number 6132 - 99.5" (products differ in anchor & stanchion compatibility)

99.5" Narrow Strong Back. End point anchor component for horizontal lifeline systems.

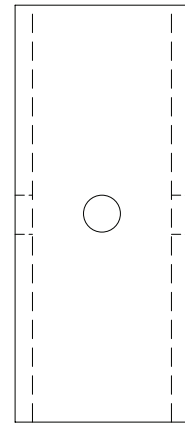
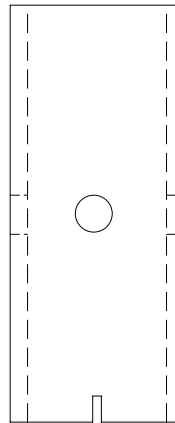
Horizontal Lifeline System Components



Replaceable Parts	
Part #	Description
2102-50-325-1	1/2" X 3-1/4" hex bolt (A)
2112-50-3	1/2" Nyloc nut (B)
6151-15	End/Bypass stanchion cap (2ea. comprise one complete head) (C)

End/By-Pass Stanchion Product Number: 6151, 6178, 6163

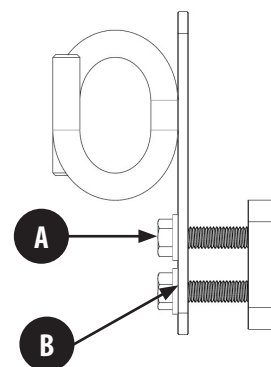
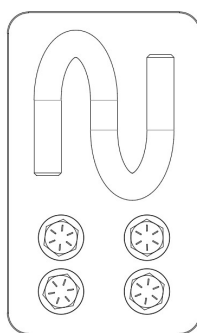
Combination End/By-Pass Stanchion for horizontal lifeline systems.
Standard sizes: 6151 - 60", 6178 - 72", 6163 - 84"



No Replaceable Parts

Weld-on Receiver for End and Bypass Stanchions Product Number: 6154

This is an economical alternative to beam clamps.
(*Sold only as parts of complete engineered systems or to registered customers as replacement parts.)



Replaceable Parts

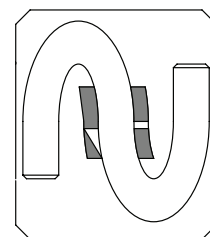
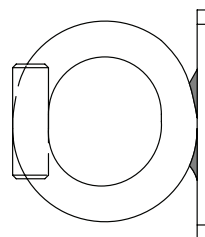
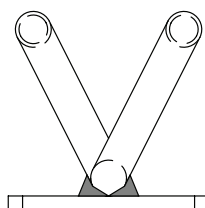
Part #	Description
2102-50-250-4	1/2" X 2-1/2" Grade 8 Tap Bolt (A)
2122-50-6	1/2" SAE Washer (B)

Rebar Bypass Bracket

Product Number: 6204

Additional Options : 6158 - Weld On Lug, 6160 - Weld On SST Lug, 6161 - Weld On Double Lug, 6162 - Weld On SST Double Lug

Side mount cable bypass for rebar. (*Sold only as parts of complete engineered systems or to registered customers as replacement parts.)



No Replaceable Parts

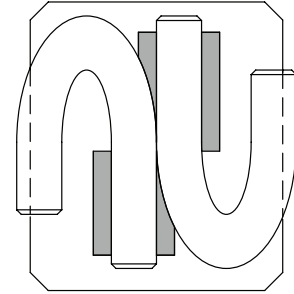
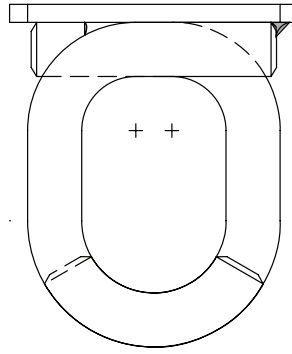
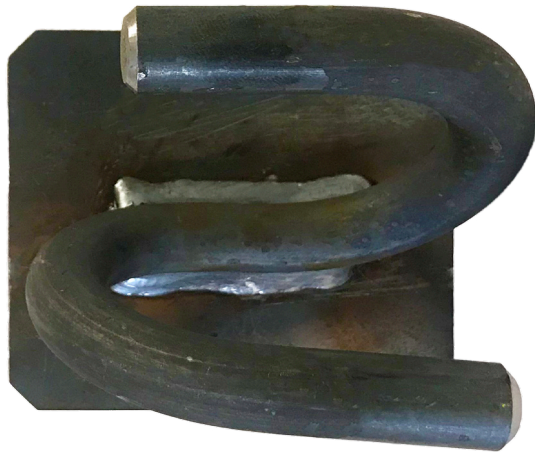
Weld-on Bypass Bracket

Product Number: 6167

Weld-on Bypass Bracket, Side mount.

(*Sold only as parts of complete engineered systems or to registered customers as replacement parts.)

Horizontal Lifeline System Components

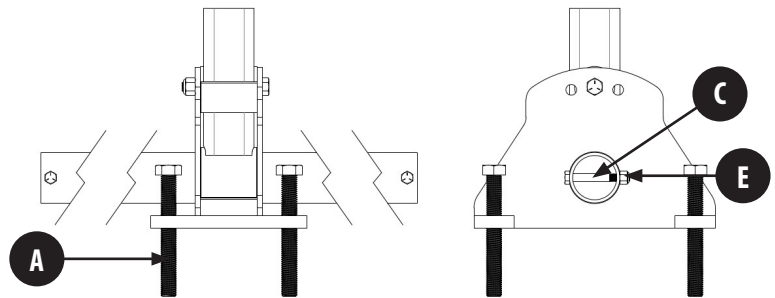
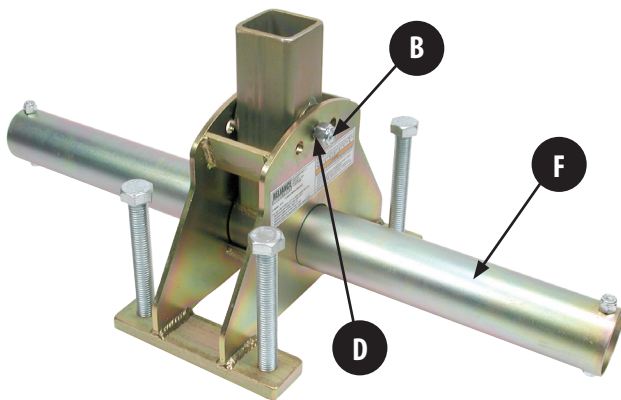


No Replaceable Parts

Weld-on Bypass Bracket
Product Number: 6168

Top mount.

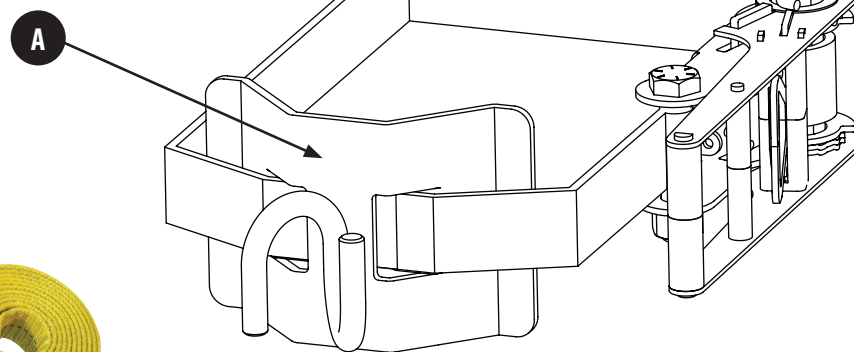
(*Sold only as parts of complete engineered systems or to registered customers as replacement parts.)



Replaceable Parts	
Part #	Description
2102-75-600-2	3/4" X 6" hex tap bolt (A)
2102-50-400-1	1/2" X 4" hex bolt (B)
2102-37-300-1	3/8" X 3" hex bolt (C)
2112-50-3	1/2" Nyloc nut (D)
2112-37-3	3/8" Nyloc nut (E)
6170-25	28" Load Tube (F)

Receiver Bracket for Looped Rebar HLL Systems
Product Number: 6170

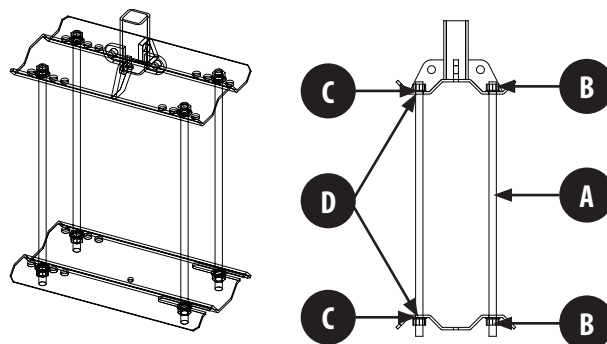
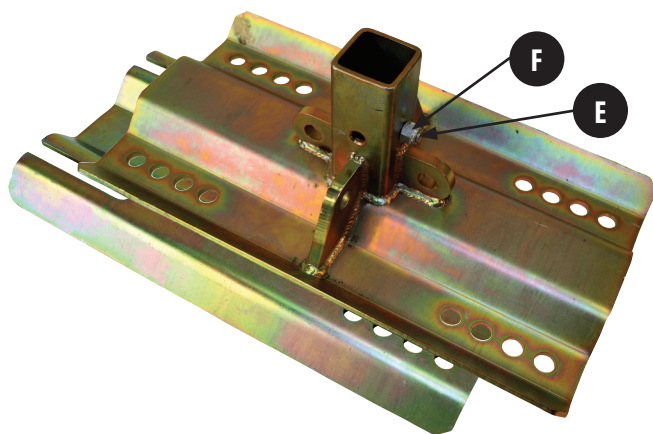
For use with standard 2" end/bypass stanchions (*Sold only as parts of complete engineered systems or to registered customer as replacement parts.)



Replaceable Parts	
Part #	Description
6172-10	Pass-thru plate (A)

Ratchet Strap Bypass Assembly Product Number: 6172

Provides a temporary bypass point for horizontal lifeline systems utilizing a ratchet strap as opposed to a permanently installed bypass.



Replaceable Parts	
Part #	Description
2173-25	3/4" X 36" galv. threaded rod (A)
2114-75-1	3/4" nut - galvanized (B)
2126-75-3	3/4" lock washer - galvanized (C)
2126-75-2	3/4" flat washer - galvanized (D)
2102-50-325-1	1/2" X 3-1/4" hex bolt (E)
2112-50-3	1/2" Nyloc nut (F)

Concrete Beam Receiver Base (Upper And Lower Plate) Product Number: 6173

Two-piece system bolts to concrete beams and provides a receiver for horizontal lifeline system end and midpoint stanchion assemblies.

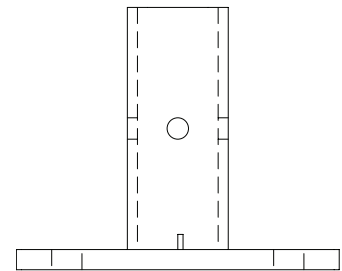
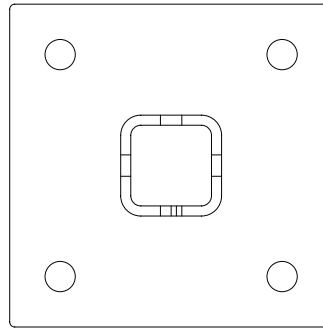
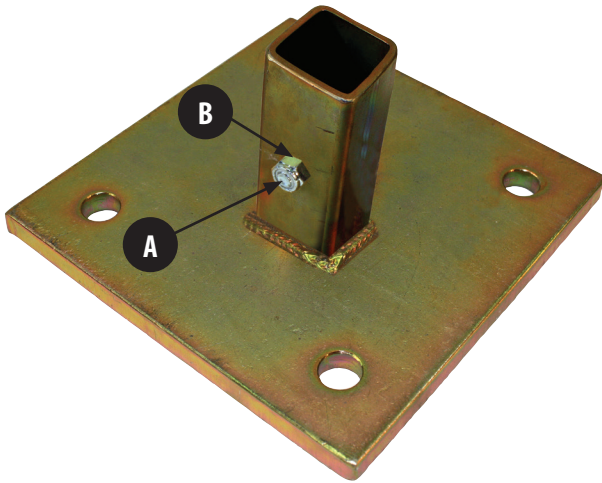
Horizontal Lifeline System Components



No Replaceable Parts

PVC Drop-In Sleeve for Stanchion Product Number: 6181

The PVC Drop-In Sleeve for Stanchion is cast in place in concrete and provides a receiver for horizontal lifeline end and midpoint stanchion assemblies.

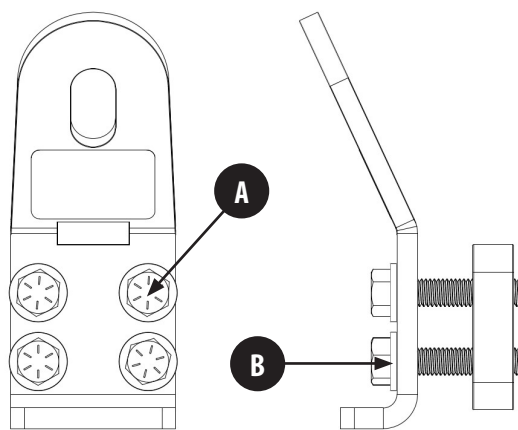
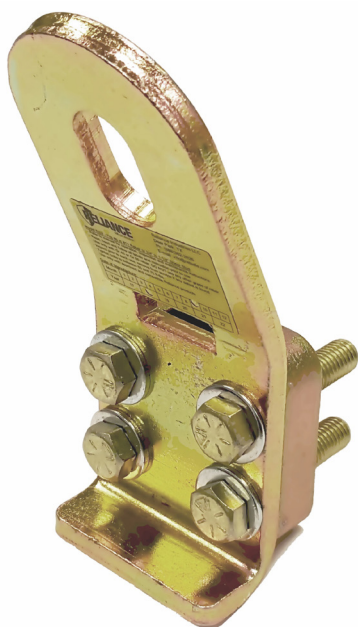


Replaceable Parts

Part #	Description
2102-50-325-1	1/2" X 3-1/4" hex bolt (A)
2112-50-3	1/2" Nyloc nut (B)
2102-62-800-5	5/8" X 8" threaded rod (not pictured)
3084-20	Concrete epoxy (not pictured)

Bolt Down Stanchion Receiver for Concrete Product Number: 6185-10

Bolt Down Stanchion Receiver for Concrete (sold as part of a complete horizontal lifeline system).

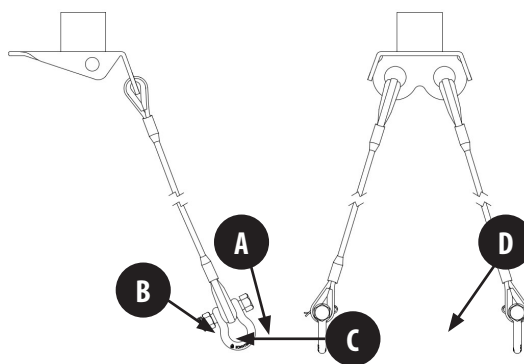


Replaceable Parts	
Part #	Description
2102-50-250-4	1/2" X 2-1/2" Grade 8 Tap Bolt (A)
2122-50-6	1/2" SAE Washer (B)

Rebar & Nelson Stud Tieback Bracket

Product Number: 6202

Tieback bracket for Nelson Studs between 3/4" and 1-1/4" and rebar between #6 and #11



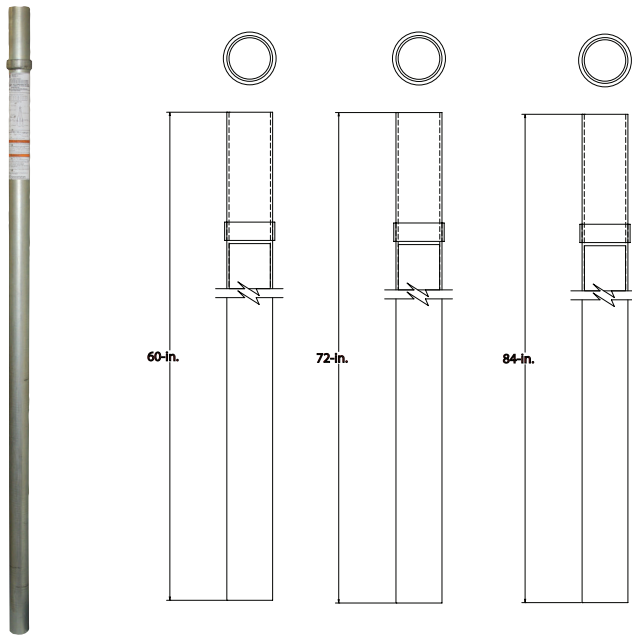
60", 72", 84" Commercial Rebar Stanchion Head Tieback Assemblies

Product Number: 6200-21, 6210-21, 6220-21

Stanchion head assembly with tieback cable assemblies for use with Concrete Rebar Stanchions.

6200-21 : 60" , Gold color, used with 6200-23 stanchion. 6210-21 : 72" , Silver color, used with 6210-23 stanchion. 6220-21 : 84" , Black color, used with 6220-23 stanchion.

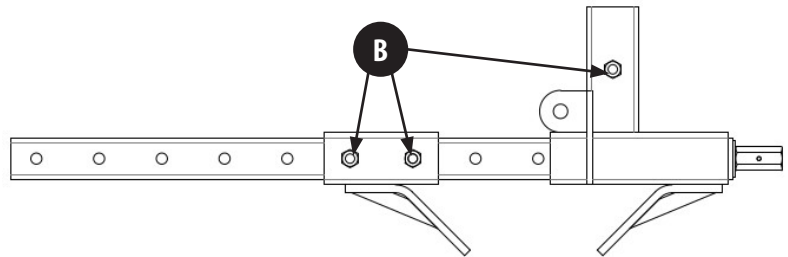
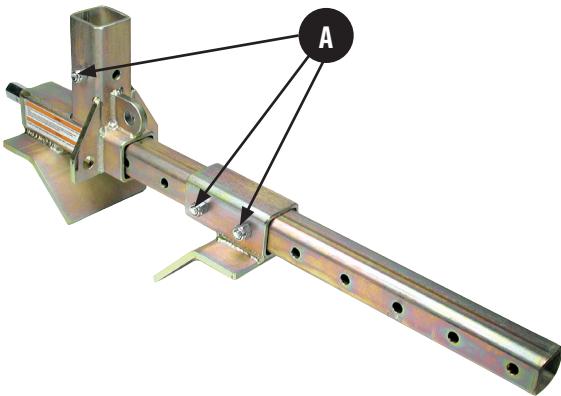
Horizontal Lifeline System Components



No Replaceable Parts

60", 72", 84" Concrete Rebar Stanchions Product Number: 6200-23, 6210-23, 6220-23

Commercial Rebar Stanchion Tube, 60", 72", 84".
6200-23 : Gold color, 6210-23 : Silver Color, 6220-23 : Black Color

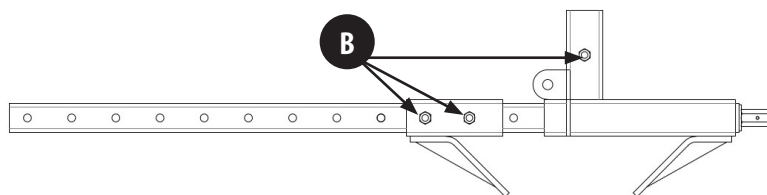
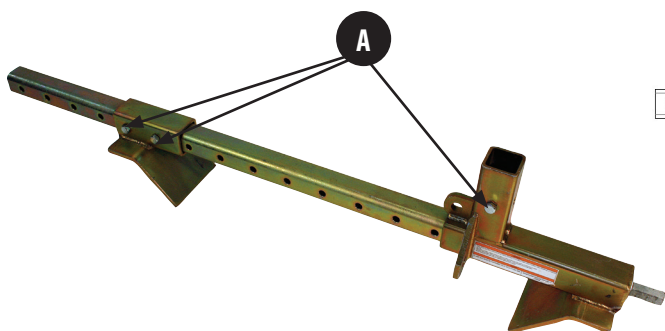


Replaceable Parts

Part#	Description
2102-50-325-1	1/2" X 3-1/4" hex bolt (A)
2112-50-3	1/2" Nyloc nut (B)

HLL Stanchion Beam Clamp (Wide) Product Number: 6230

HLL Stanchion Base. For use on I-beams.
6" - 28" clamp range, 1/2" - 2" flange thickness.



Replaceable Parts

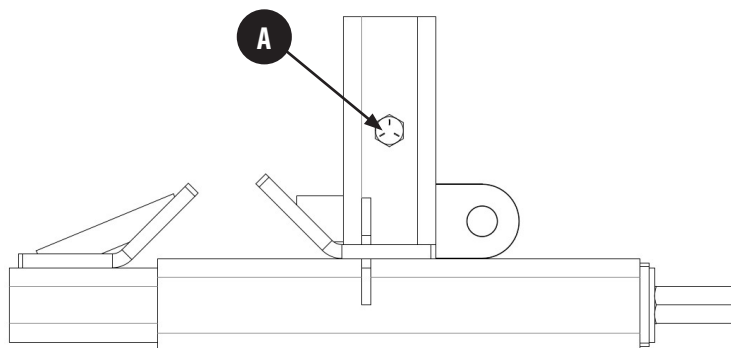
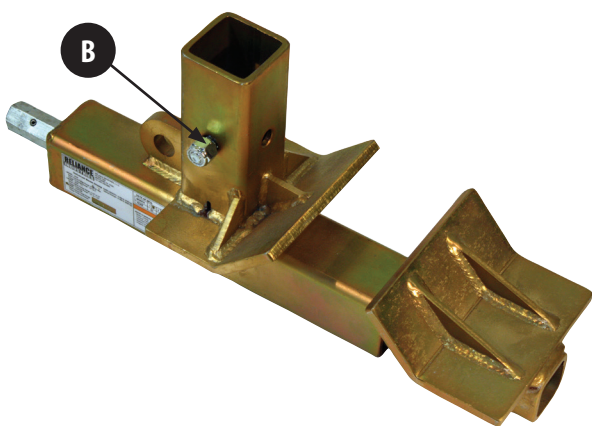
Part#	Description
2102-50-325-1	1/2"X 3-1/4" hex bolt (A)
2112-50-3	1/2" Nyloc nut (B)

Horizontal Lifeline Stanchion Beam Clamp

Product Number: 6231

Horizontal Lifeline Stanchion Beam Clamp. Clamps to I-beams to provide receiver for end and midpoint HLL stanchions.

Fits 11"-38" width, 1/2" - 3" thick



Replaceable Parts

Part#	Description
2102-50-325-1	1/2"X 3-1/4" hex bolt (A)
2112-50-3	1/2" Nyloc nut (B)

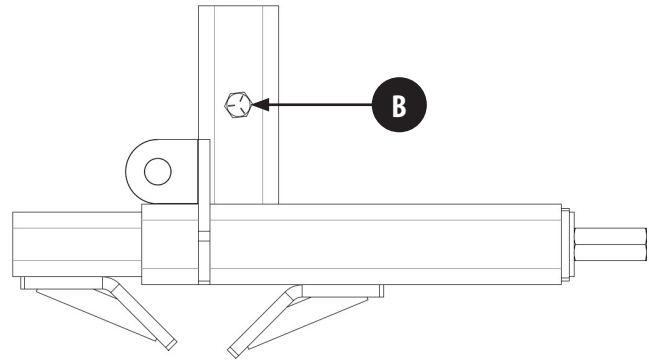
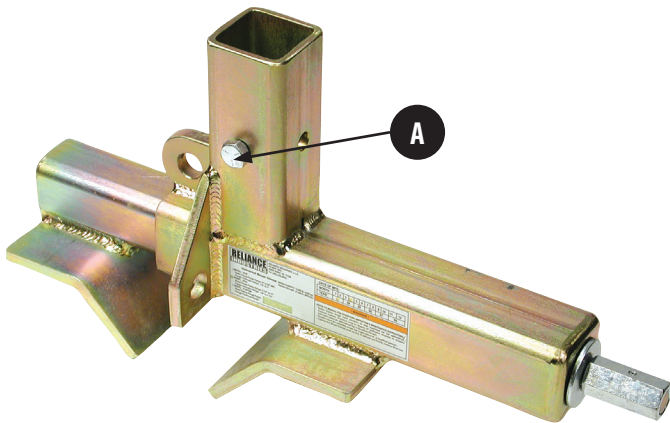
HLL Stanchion Beam Clamp (Inverted)

Product Number: 6235

HLL Stanchion Base for use on I-beams.

Underslung clamp. 4-1/2" - 14" clamp range, 1/2" - 1-1/2" flange thickness.

Horizontal Lifeline System Components



Replaceable Parts

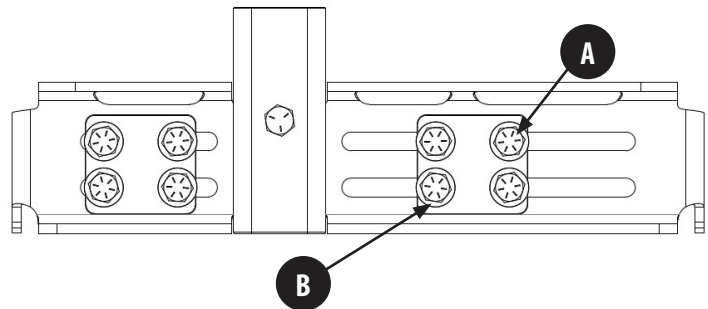
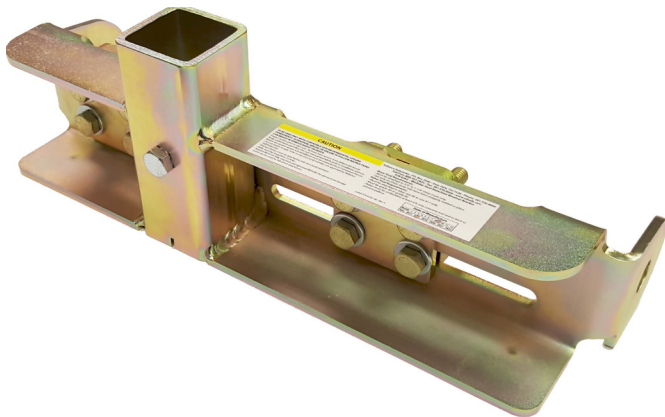
Part#	Description
2102-50-325-1	1/2" X 3-1/4" hex bolt (A)
2112-50-3	1/2" Nyloc nut (B)

HLL Stanchion Beam Clamp (Universal)

Product Number: 6240

HLL Stanchion Base. For use on I-beams.

4-1/2" - 14" clamp range, 1/2" - 1-1/2" flange thickness.



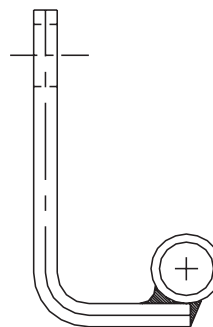
Replaceable Parts

Part#	Description
2102-50-250-4	1/2" X 2-1/2" Grade 8 tap bolt (A)
2122-50-6	1/2" SAE washer (B)

Modular Stanchion Receiver Base

Product Number: 6262

Attaches to Nelson Studs with a diameter of 3/4" to 1-1/4" and rebar sizes #6 to #11. Will fit spacing between 3" and 12" with minimum clamping distance of 6".



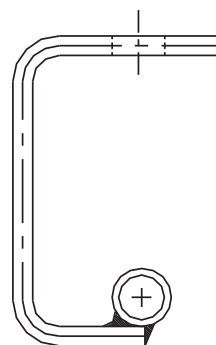
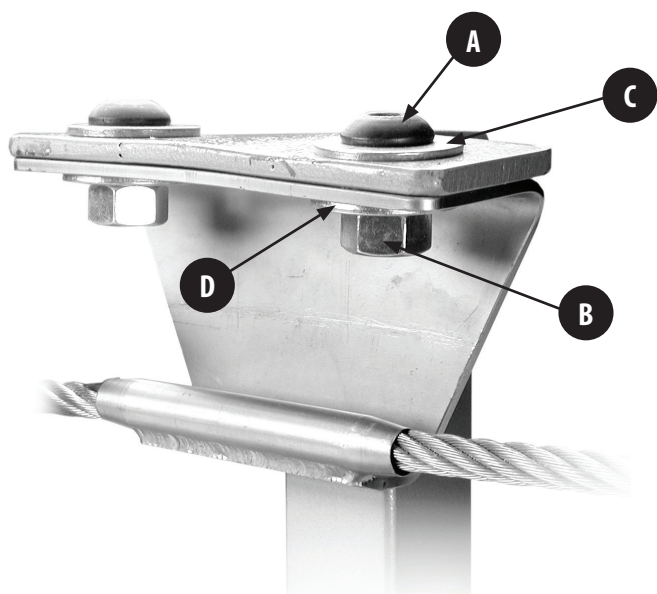
Replaceable Parts

Part #	Description
2100-37-200-3	3/8" X 2" stainless bolt 82°
2110-37-1	3/8" stainless nut
2120-37-1	3/8" stainless flat washer
2120-37-3	3/8" stainless lock washer

*All parts are attachment hardware - not shown here

Stainless Steel Horizontal Lifeline Hands-Free Bypass Support Product Number: 6452

Stainless Steel hands-free bypass suport. Side mount.



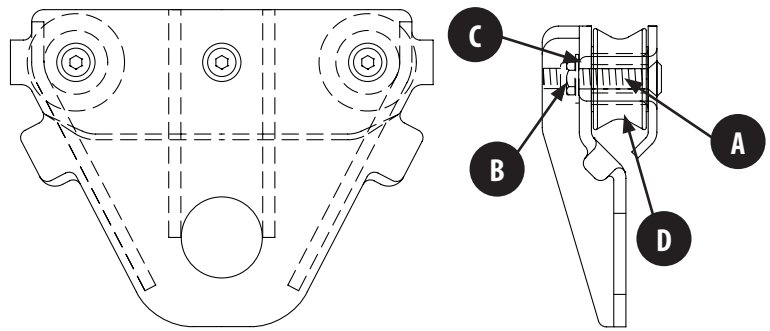
Replaceable Parts

Part #	Description
2100-37-200-3	3/8" X 2" stainless bolt 82° (A)
2110-37-1	3/8" stainless nut (B)
2120-37-1	3/8" stainless flat washer (C)
2120-37-3	3/8" stainless lock washer (D)

Stainless Steel Horizontal Lifeline Hands Free Bypass Support Product Number: 6454

Stainless steel hands-free bypass support top mount.

Horizontal Lifeline System Components



Replaceable Parts

Part #	Description
2100-31-175-3	5/16" X 1-3/4" stainless bolt 82° (A)
2110-31-4	5/16" stainless lock nut (B)
2120-31-1	5/16" stainless flat washer (C)
6460-18	Wheel traveler (D)

Horizontal Lifeline Hands Free Dual Wheel Traveler Product Number: 6461

Stainless steel dual wheel traveler. Used to support retractables on the HLL. Stainless. Use with 6454 top-mount or 6452 side mount (sold separately)



6123
Ratchet w/
Web Shock Absorber



6062
Bow Shackles
(2 each)



T167433
O-Rings
(2 each)



6123/6128
Ratchet Strap

Replaceable Parts

Part #	Description
6062	1/2" Stainless Bow Shackles (Pg. 11)
6123	2" Ratchet w/ Web Shock Absorber (Pg. 17)
6126	2" X 30' Ratchet Strap
6128	2" X 60' Ratchet Strap
T167433	O-Ring Connection Point

30'/60' Temporary Horizontal Lifeline System Product Number: 6320-30 (30'), 6320-60 (60')

30' Temporary Horizontal Lifeline. 2" webbing X 30' long
60' Temporary Horizontal Lifeline. 2" webbing X 60' long

Horizontal Lifeline System Components



6092
Ratchet Strap



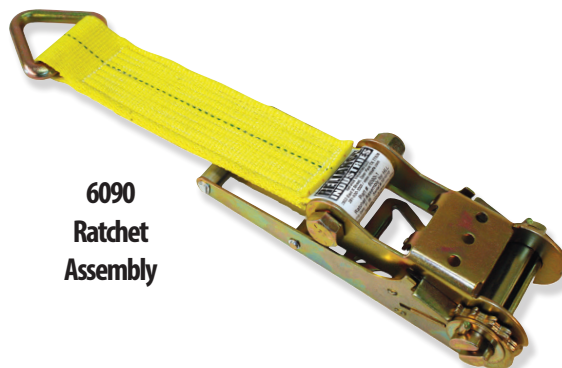
6050
In Line
Cable Clamp



6000
In Line Energy
Absorber



6062
Bow Shackles
(4 each)



6090
Ratchet
Assembly

Please Note: The 6310 is an integral part of most Reliance horizontal lifeline systems. Cable lengths vary according to the requirements for each individual system; cable is therefore not included with these components. For details on the cable component, please see pg. 13.

Replaceable Parts	
Part #	Description
6310	Replaces entire system
6092	Ratchet Strap - See pg. 16 for details
6050	Inline Cable Clamp - See pg. 9 for details
6000	In-Line Energy Absorber - See pg. 8 for details
6062	Bow Shackles - See pg. 11 for details
6090	Ratchet Assembly - See pg. 16 for details

Portable Horizontal Lifeline System w/o anchorages or cable Product Number: 6310

Because these are Tuned Cable™ technology systems, they're easy to install and will fit safely in more applications than any other systems on the market. After reviewing the design program (web-based with training or through Reliance specialist) for your application, choose appropriate cable length and anchorage terminations based on those needs for up to 4 men and 200 ft.

Components:

6000-Skyline Shock absorber-tensioner

6050-Inline Cable Clamp

6090 3" Ratchet

6092-10' X 3" Tensioning Strap & mating hardware

6062-1/2" shackles



Reliance Fall Protection

P.O. Box 2046

Deer Park, TX 77536

Phone 281.930.8000

Toll-Free 888.362.2826

Fax 281.930.8666

www.relsafe.com